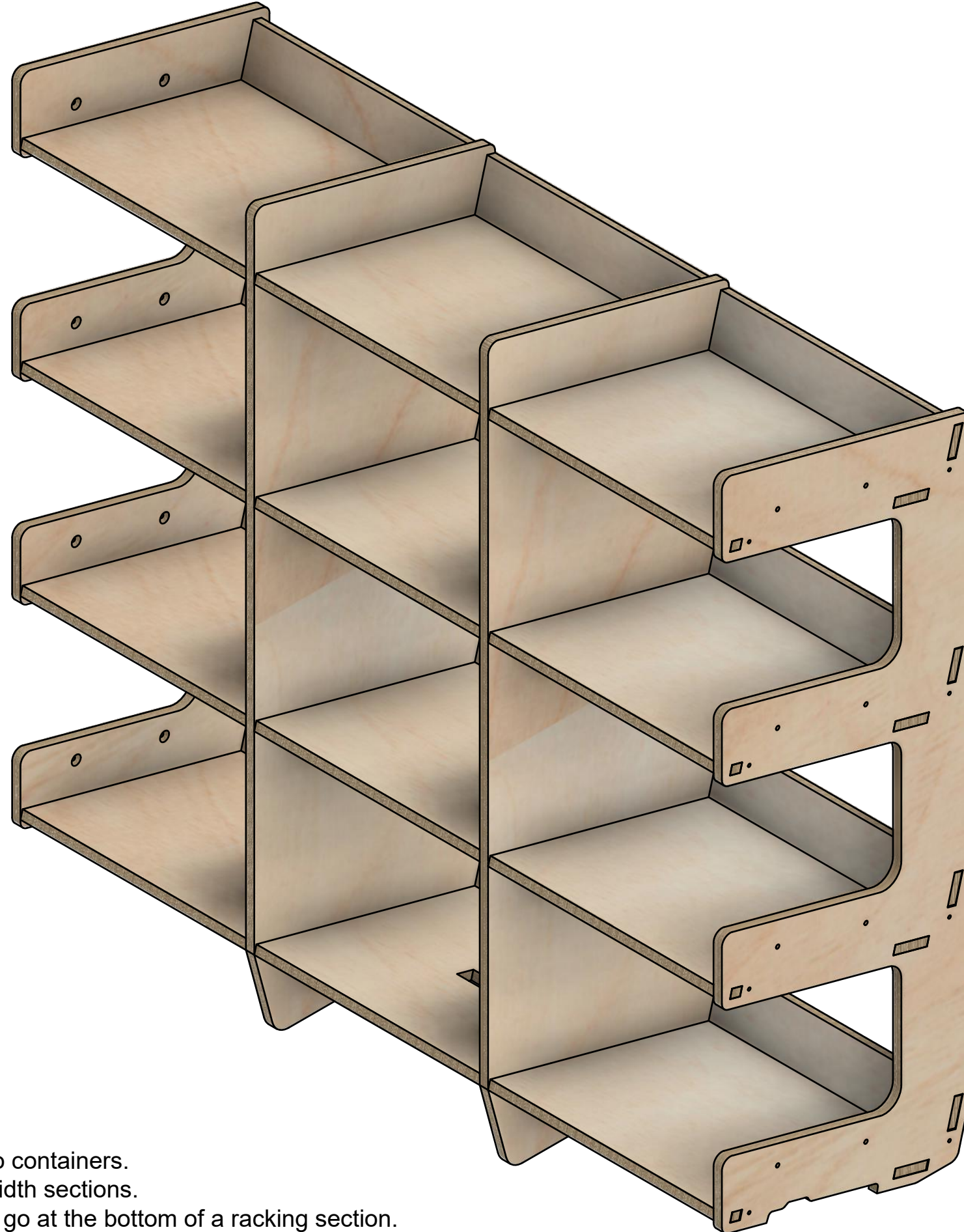


Please read notes below.

1020W | 12 x 220mm Euro Crate Module

SKU: 12EO220_S01_NO.1



Page 1 - Overview

All units in mm

Plywood thickness = 12mm

Notes

- There are 12 bays that fit 400x300x220mm euro containers.
- This module is designed to fit in 1020 internal width sections.
- This module is not self-supporting and needs to go at the bottom of a racking section.

YOKE VANS

info@yoke-van-kits.co.uk

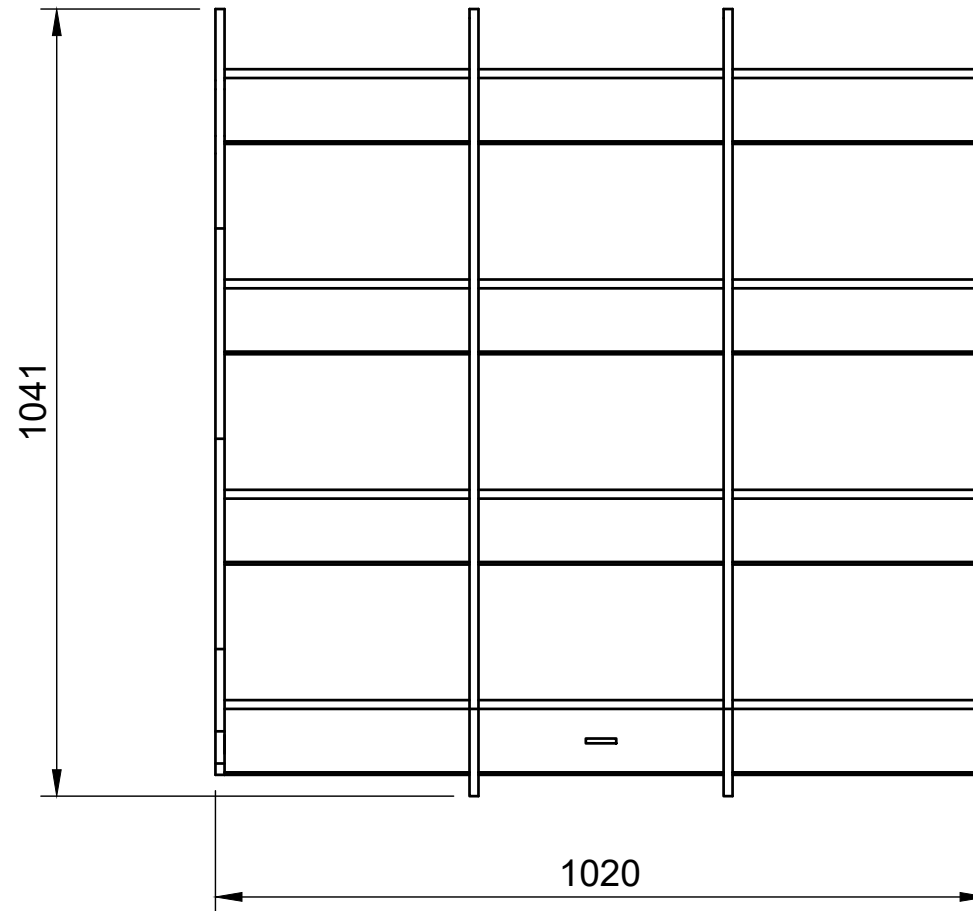
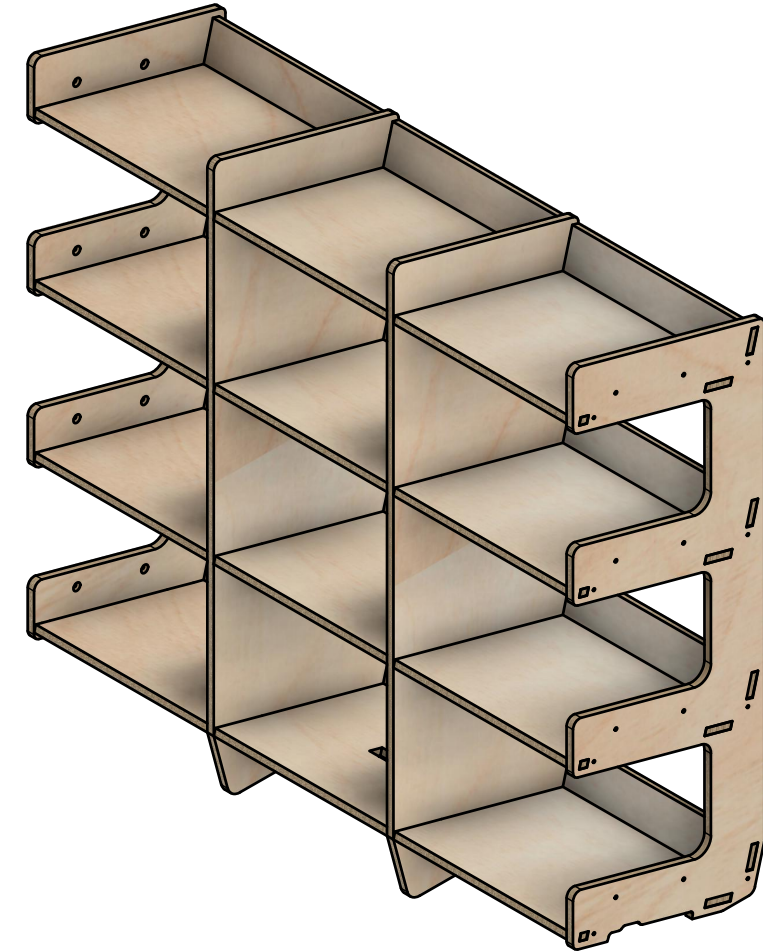
0208 132 9221

© 2023 Yoke CNC LTD

Please read notes below.

1020W | 12 x 220mm Euro Crate Module

SKU: 12EO220_S01_NO.1



Page 2 - External Dimensions

All units in mm

Plywood thickness = 12mm

Notes

- There are 12 bays that fit 400x300x220mm euro containers.
- This module is designed to fit in 1020 internal width sections.
- This module is not self-supporting and needs to go at the bottom of a racking section.

YOKE VANS

info@yoke-van-kits.co.uk

0208 132 9221

© 2023 Yoke CNC LTD