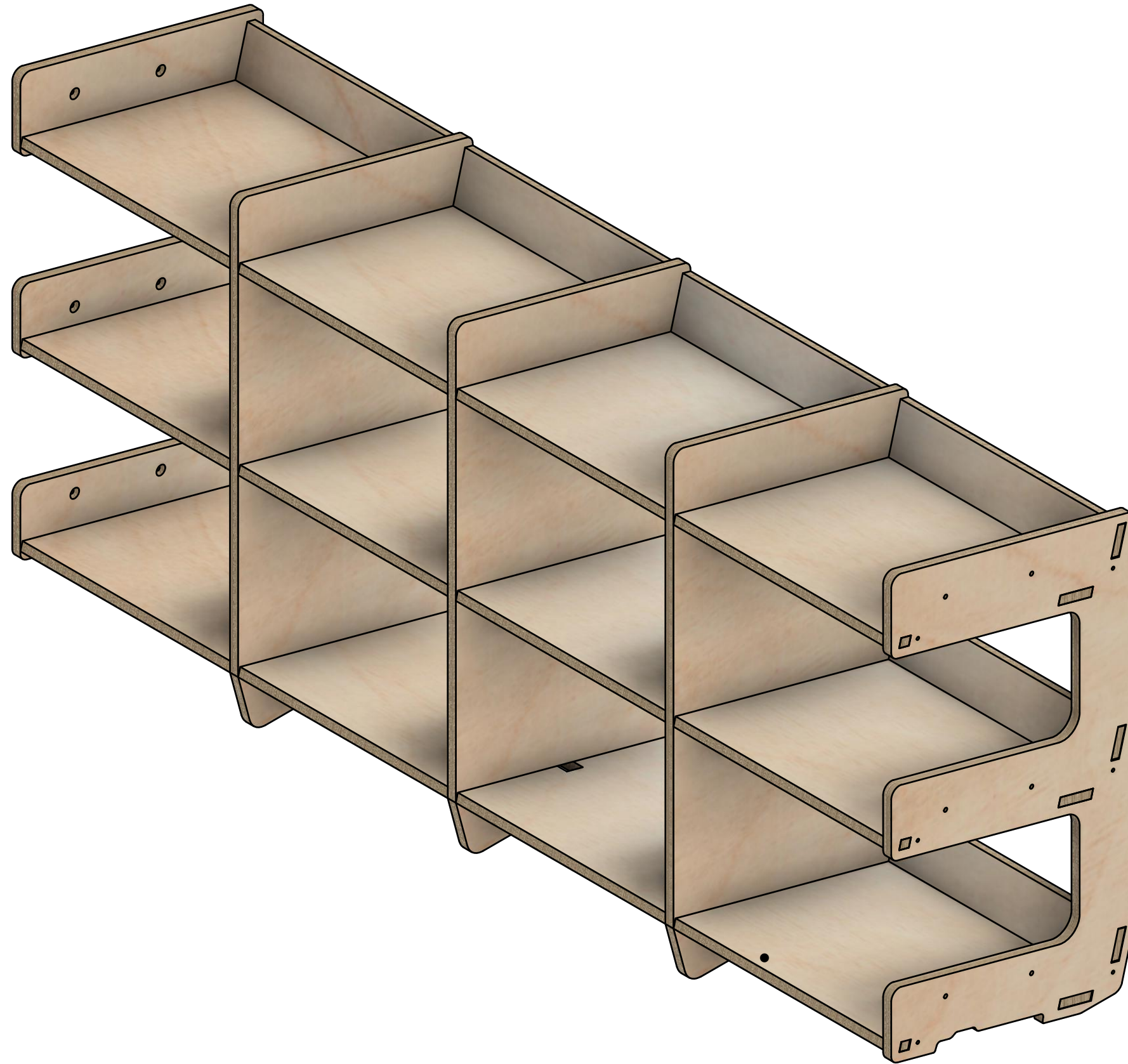


Please read notes below.

# 1296W | 12 x 220mm Euro Crate Module

SKU: 12EO220\_S03\_NO.1



## Page 1 - Overview

All units in mm

Plywood thickness = 12mm

### Notes

- There are 12 bays that fit 400x300x220mm euro containers.
- This module is designed to fit in 1296 internal width sections.
- Self-supporting module that can have clearance space below.

**YOKE VANS**

info@yoke-van-kits.co.uk

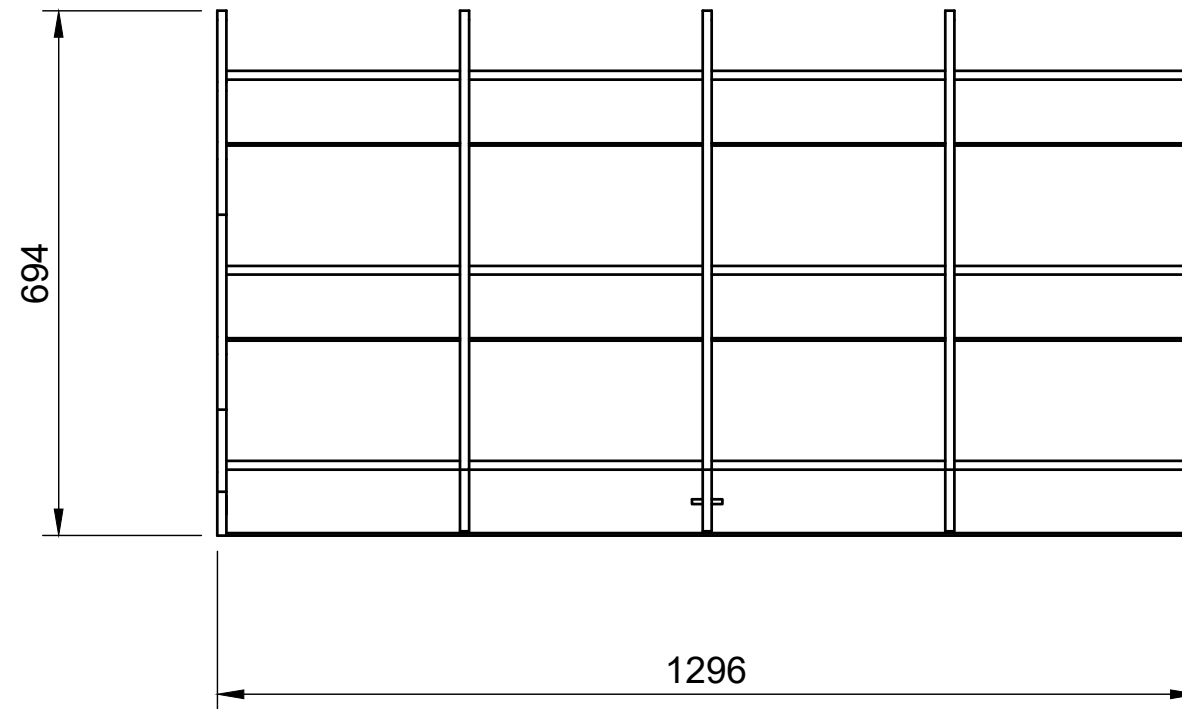
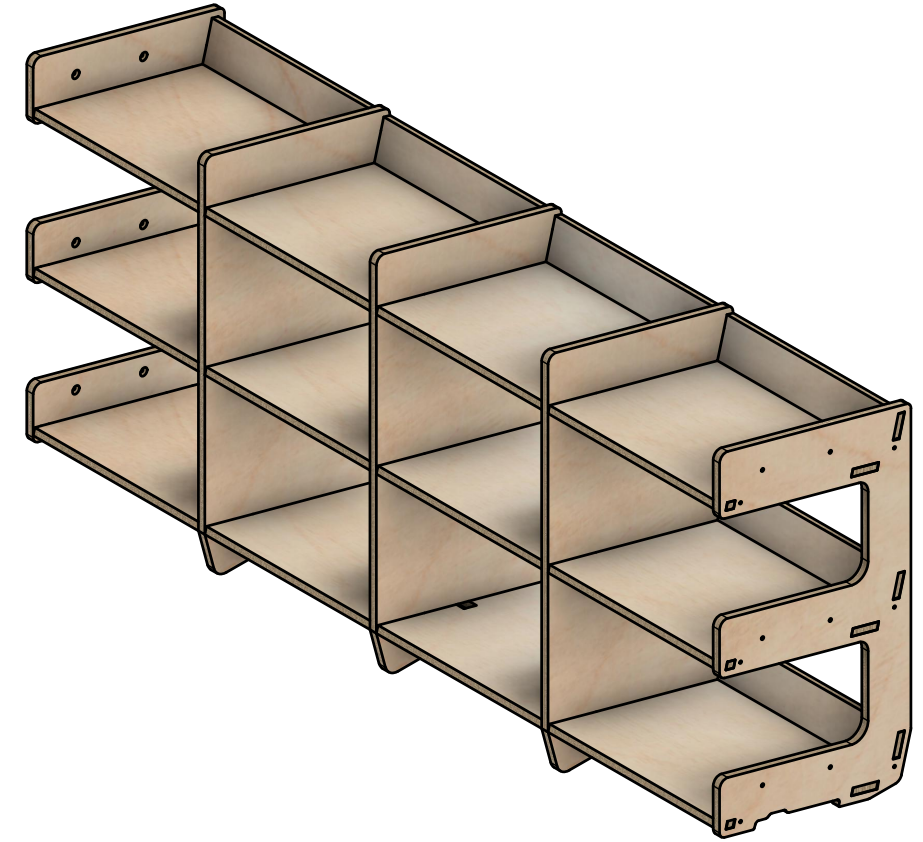
0208 132 9221

© 2023 Yoke CNC LTD

Please read notes below.

# 1296W | 12 x 220mm Euro Crate Module

SKU: 12EO220\_S03\_NO.1



## Page 2 - External Dimensions

All units in mm

Plywood thickness = 12mm

### Notes

- There are 12 bays that fit 400x300x220mm euro containers.
- This module is designed to fit in 1296 internal width sections.
- Self-supporting module that can have clearance space below.

**YOKE VANS**

info@yoke-van-kits.co.uk

0208 132 9221

© 2023 Yoke CNC LTD