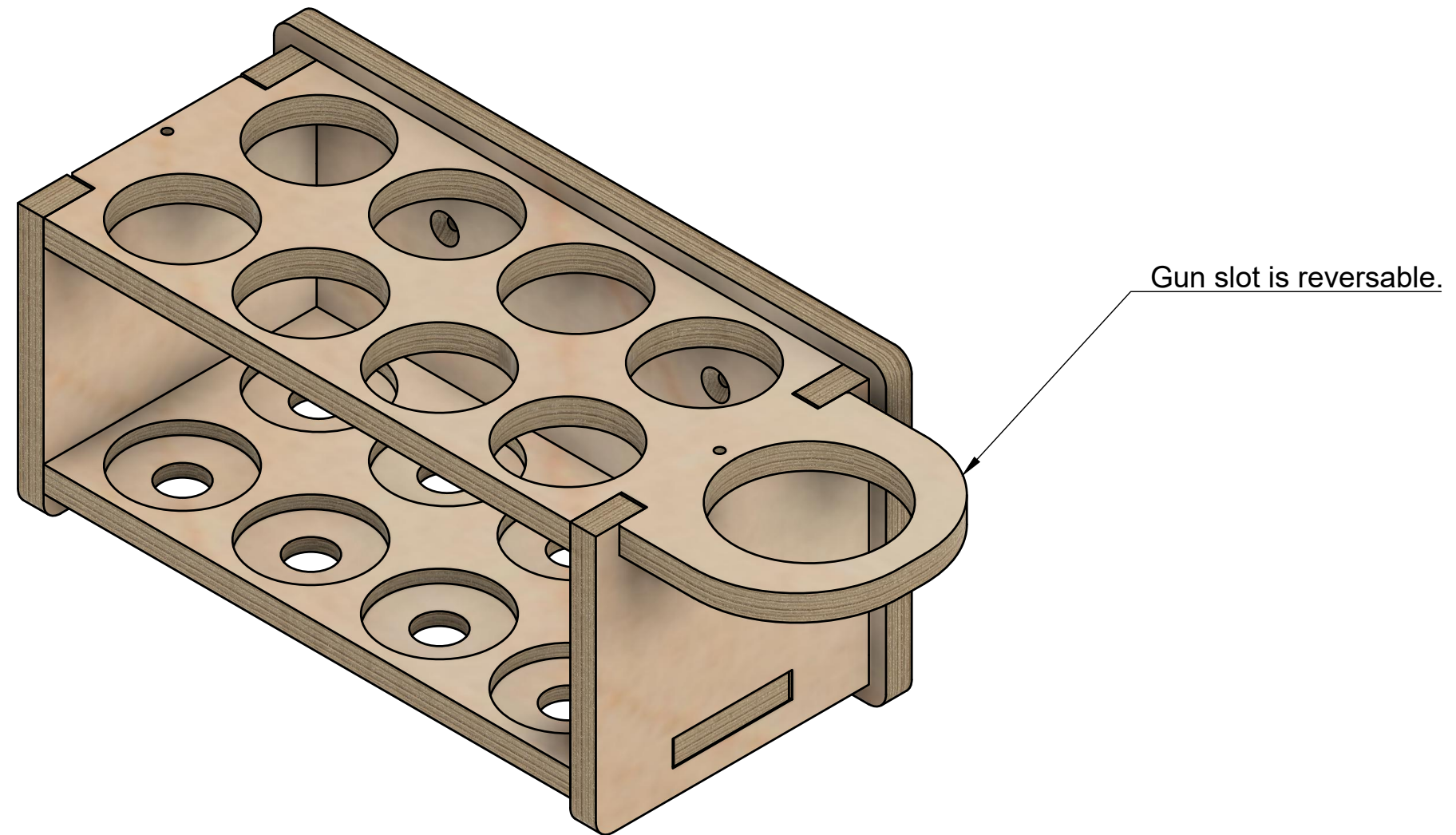


2x4 Silicone Holder with Gun Slot

SKU: SKU CODE



Page 1 - Overview

All units in mm

Plywood thickness = 12mm

Notes

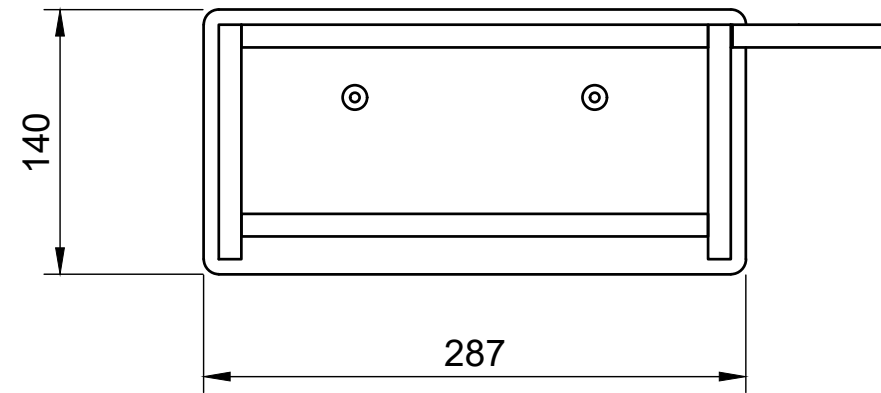
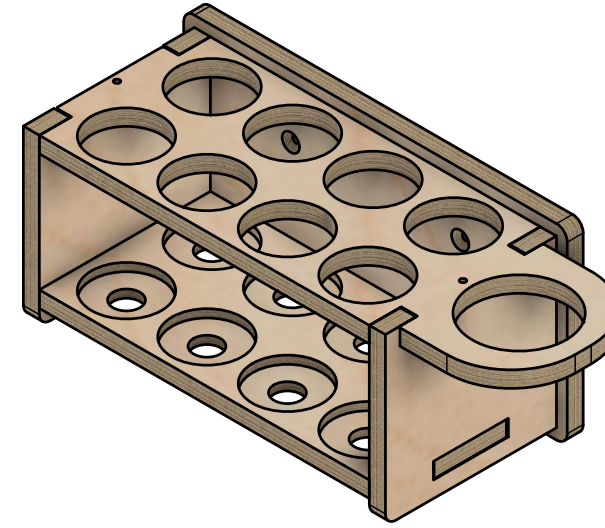
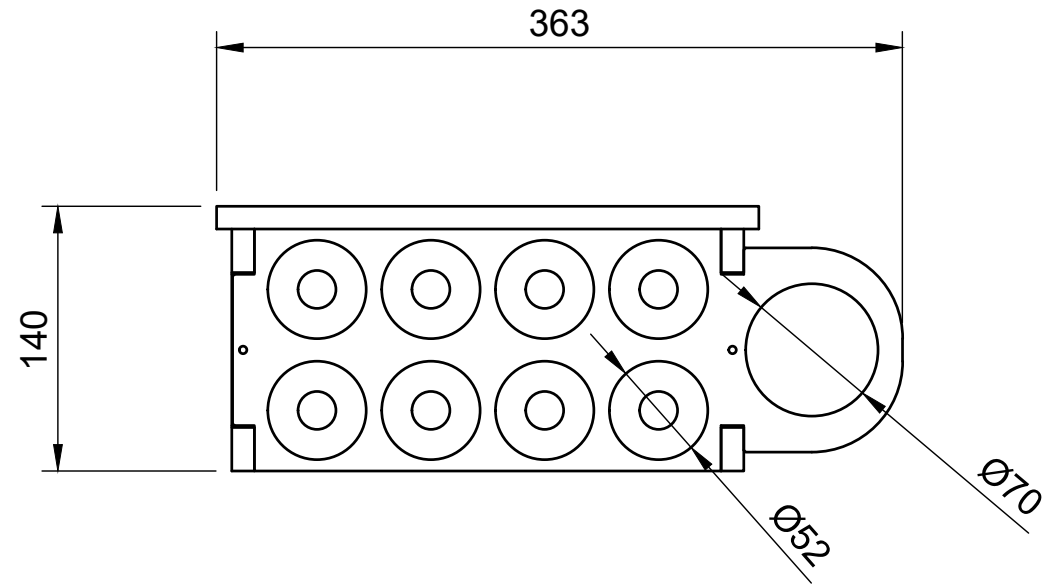
- Designed to hold up to 8 standard silicone/mastic tubes.
- Silicone tubes can be placed upright or downwards.
- 1x hole for a silicone gun can be placed on the left or right side of the unit.

YOKE VANS
info@yoke-van-kits.co.uk
0208 132 9221

© 2023 Yoke CNC LTD

2x4 Silicone Holder with Gun Slot

SKU: SKU CODE



Page 2 - Product Dimensions

All units in mm

Plywood thickness = 12mm

Notes

- Designed to hold up to 8 standard silicone/mastic tubes.
- Silicone tubes can be placed upright or downwards.
- 1x hole for a silicone gun can be placed on the left or right side of the unit.

YOKE VANS

info@yoke-van-kits.co.uk

0208 132 9221

© 2023 Yoke CNC LTD