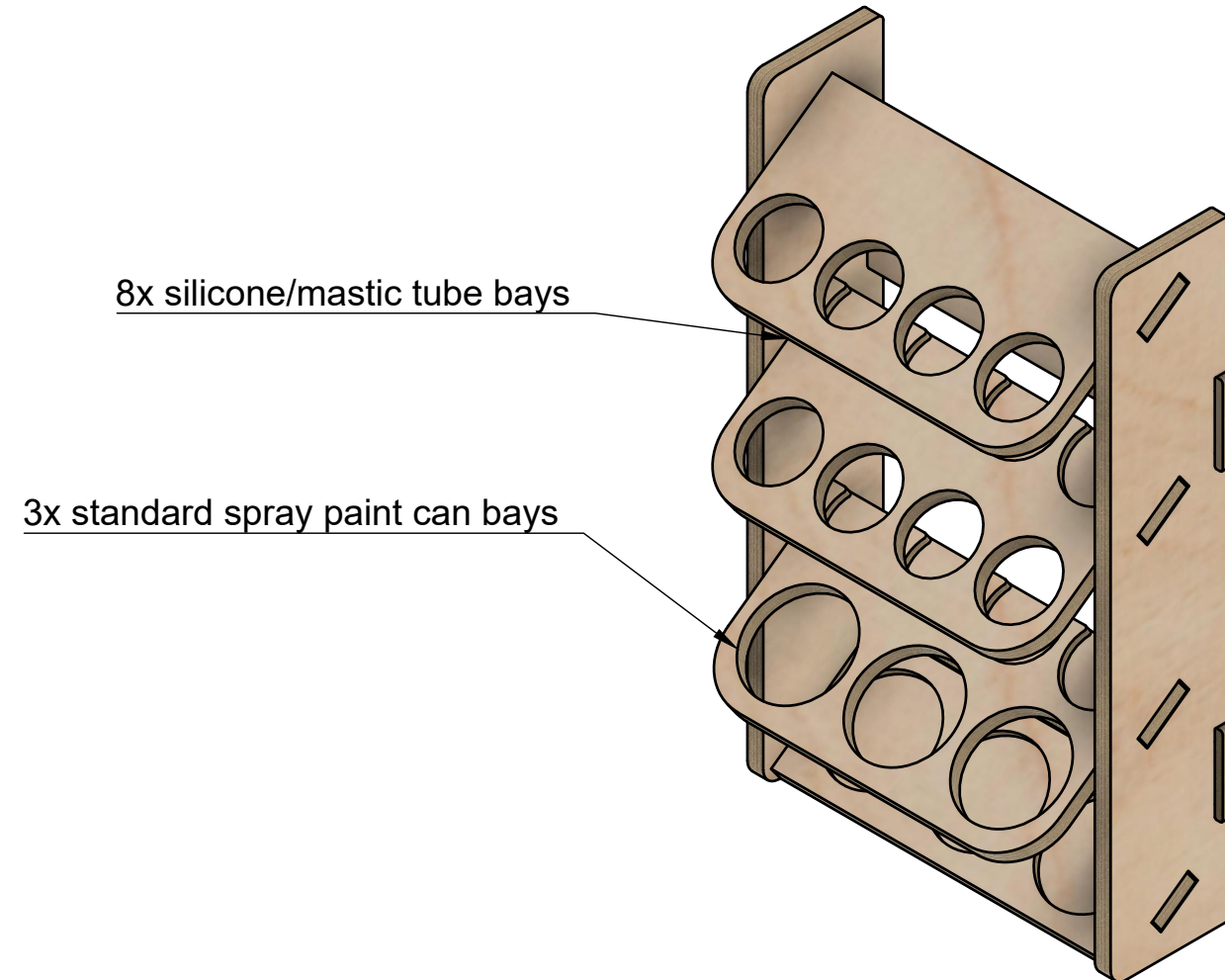


3-8 Silicone-SprayCan Holder

SKU: SKU CODE



Page 1 - Overview

All units in mm

Plywood thickness = 12mm

Notes

- Designed to hold up to 8 standard silicone/mastic tubes & 3 spray paint cans.

YOKE VANS

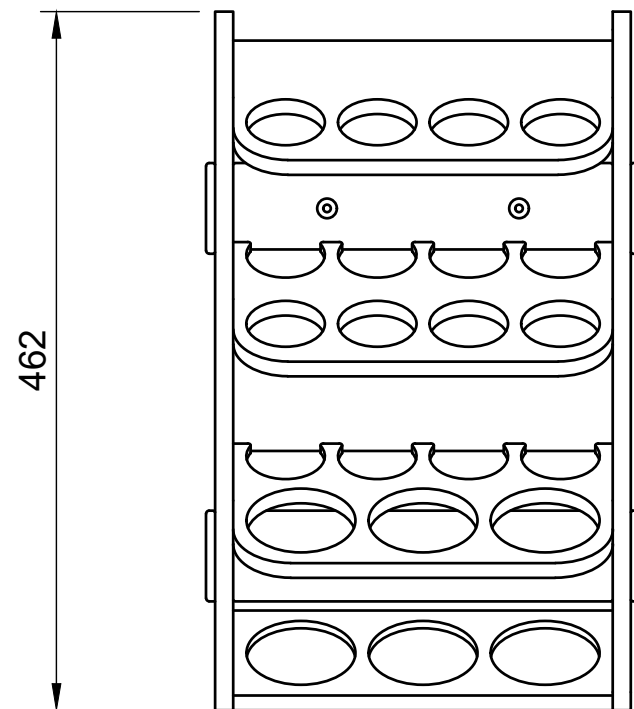
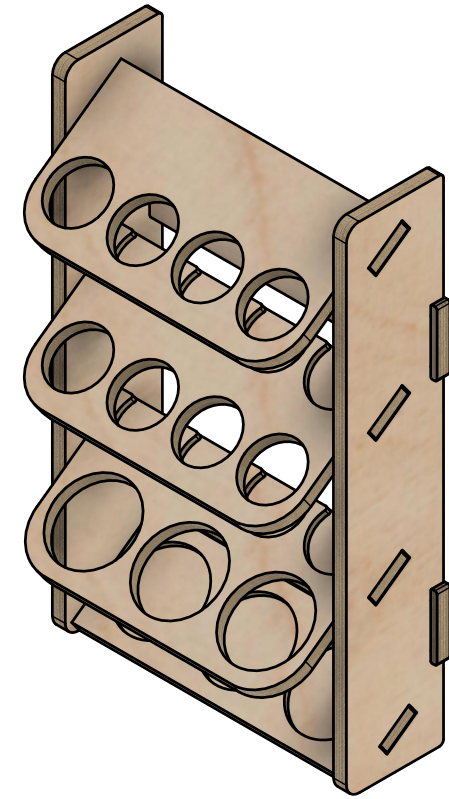
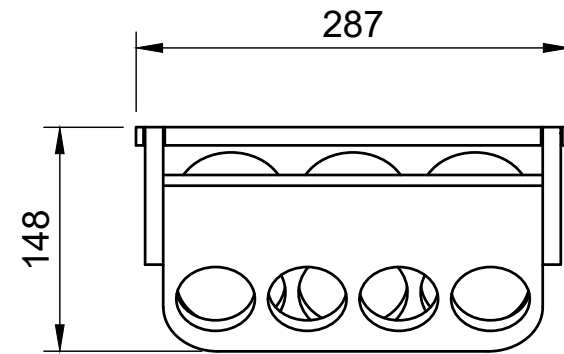
info@yoke-van-kits.co.uk

0208 132 9221

© 2023 Yoke CNC LTD

3-8 Silicone-SprayCan Holder

SKU: SKU CODE



Page 2 - Product Dimensions

All units in mm

Plywood thickness = 12mm

Notes

- Designed to hold up to 8 standard silicone/mastic tubes & 3 spray paint cans.

YOKE VANS
info@yoke-van-kits.co.uk
0208 132 9221

© 2023 Yoke CNC LTD