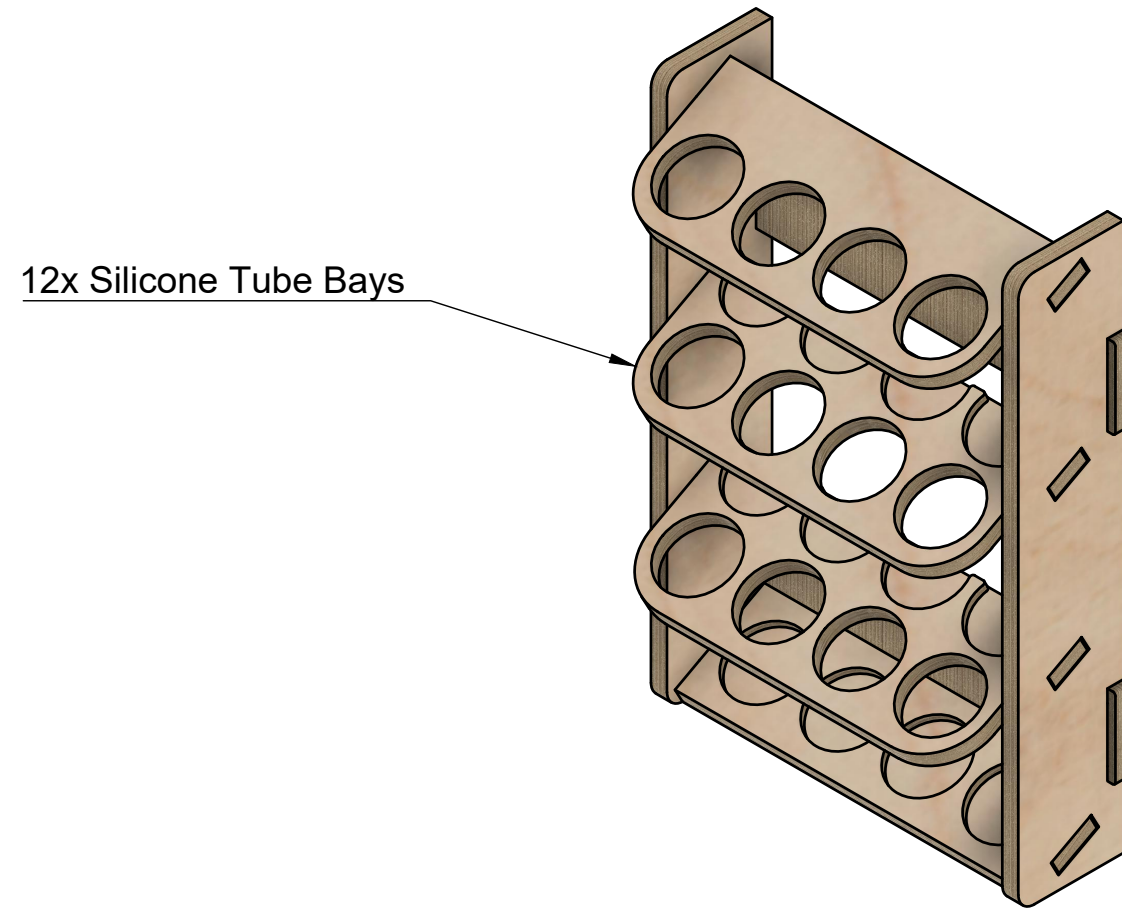


# 3x4 Silicone Holder

SKU: SKU CODE



## Page 1 - Overview

All units in mm

Plywood thickness = 12mm

### Notes

- Designed to hold up to 8 standard silicone/mastic tubes.
- No gun slot on this design.

**YOKE VANS**

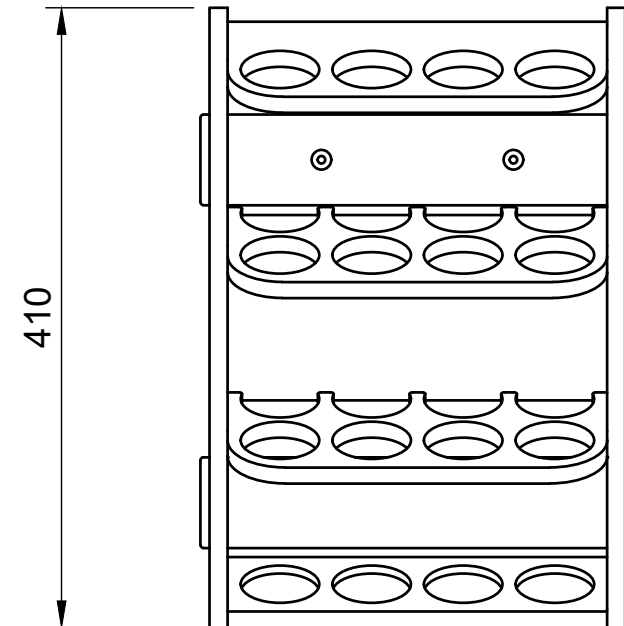
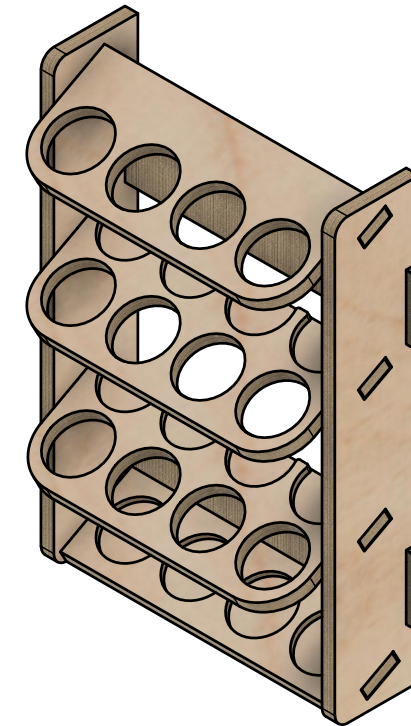
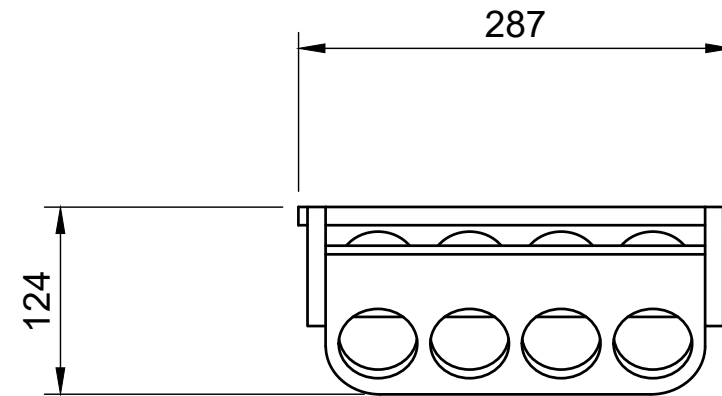
info@yoke-van-kits.co.uk

0208 132 9221

© 2023 Yoke CNC LTD

# 3x4 Silicone Holder

SKU: SKU CODE



## Page 2 - External Dimensions

All units in mm

Plywood thickness = 12mm

### Notes

- Designed to hold up to 8 standard silicone/mastic tubes.
- No gun slot on this design.

**YOKE VANS**  
info@yoke-van-kits.co.uk  
0208 132 9221

© 2023 Yoke CNC LTD