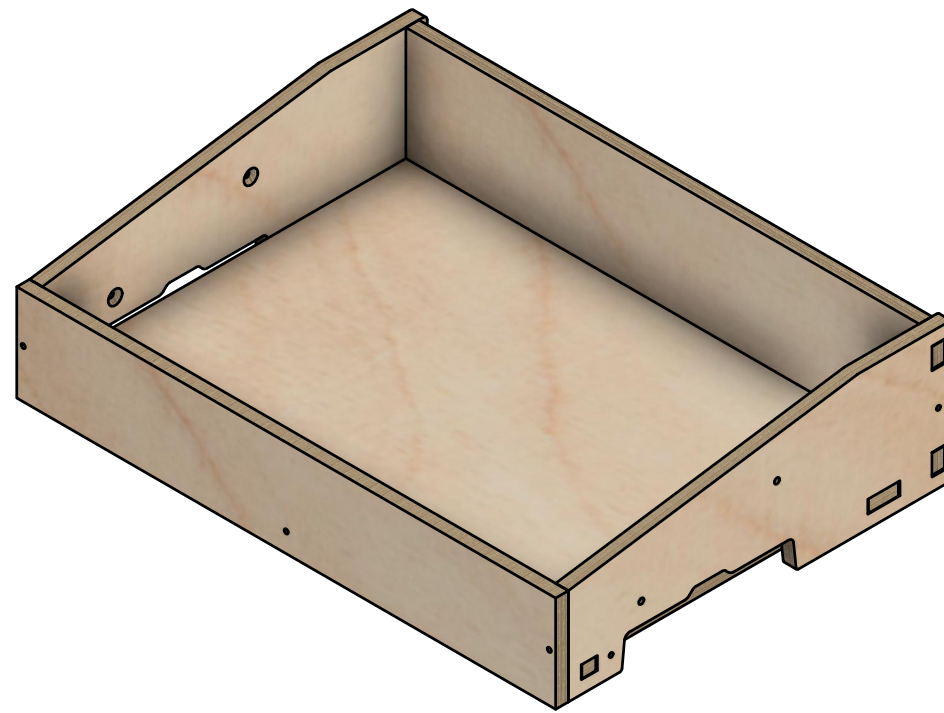


See notes below.

504W | Bare Bones Standard

SKU: BB_S01_NO.2_340



Page 1 - Overview

All units in mm

Plywood thickness = 12mm

Notes

- Designed for 504 internal width racking sections.
- Designed to be accessible from both sides.
- Internal lip height = 66mm

YOKE VANS

info@yoke-van-kits.co.uk

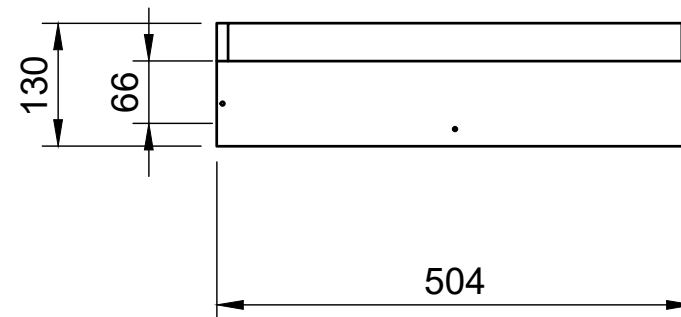
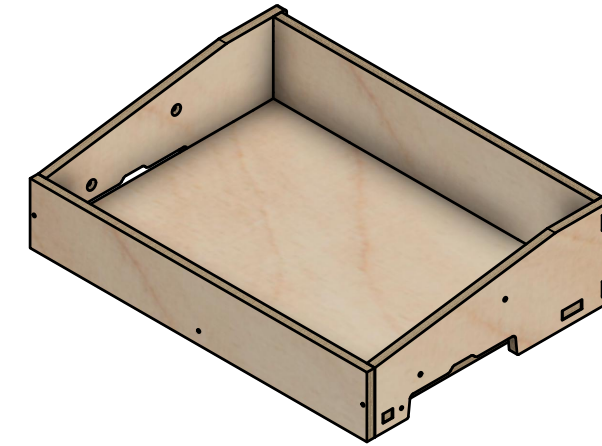
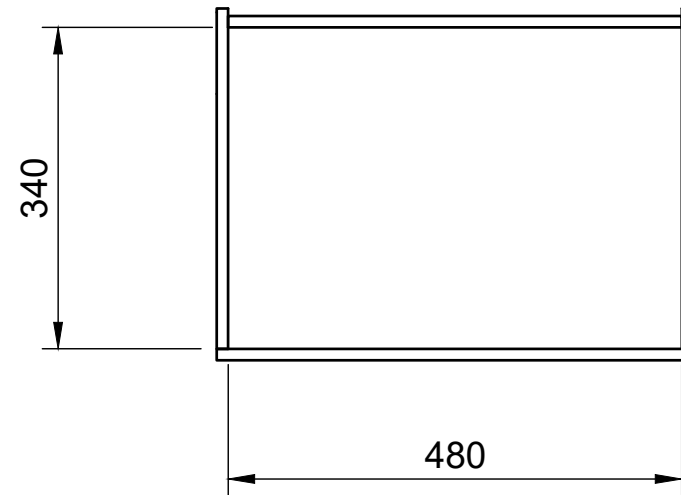
0208 132 9221

© 2023 Yoke CNC LTD

See notes below.

504W | Bare Bones Standard

SKU: BB_S01_NO.2_340



Page 2 - Product Dimensions

All units in mm

Plywood thickness = 12mm

Notes

- Designed for 504 internal width racking sections.
- Internal front lip height = 66mm

YOKE VANS
info@yoke-van-kits.co.uk
0208 132 9221

© 2023 Yoke CNC LTD