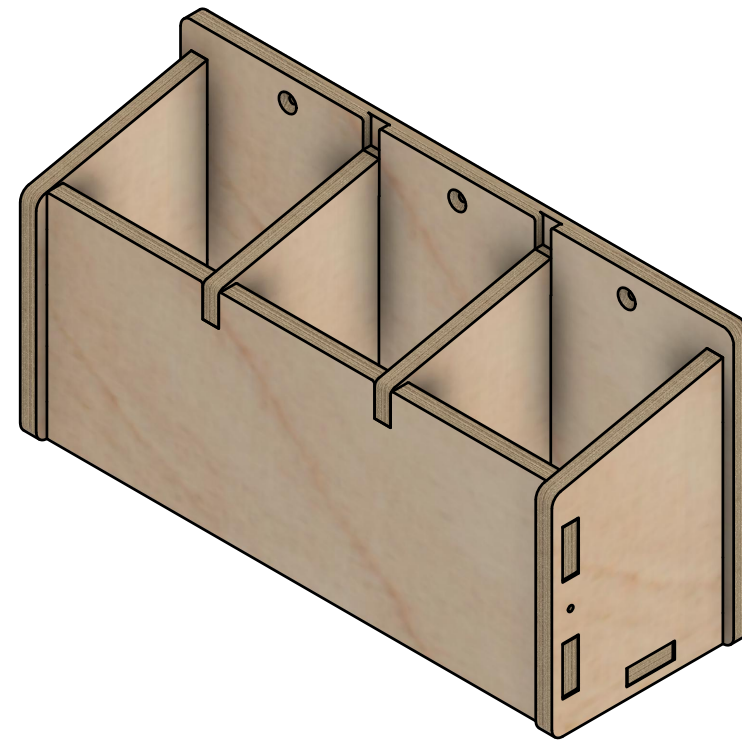


Make & Model | Year | Size | Panel or DCIV | RWD or FWD | Other

PRODUCT NAME

SKU: SKU CODE



Page 1 - Overview

All units in mm

Plywood thickness = 12mm

Notes

- Point A
- Point B
- Point C

YOKE VANS

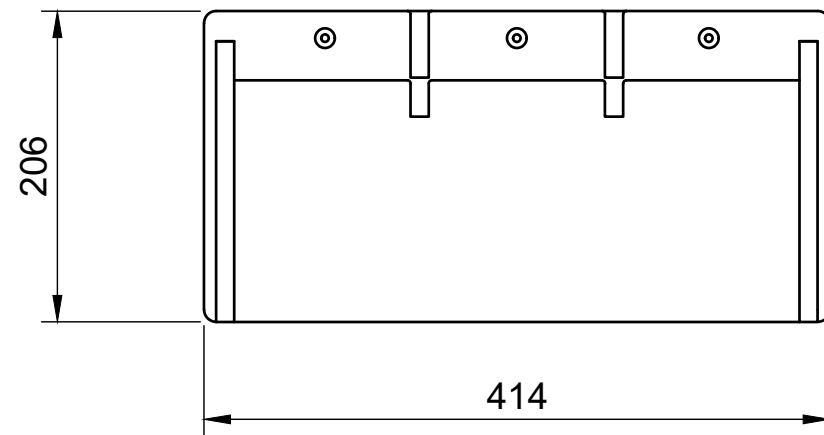
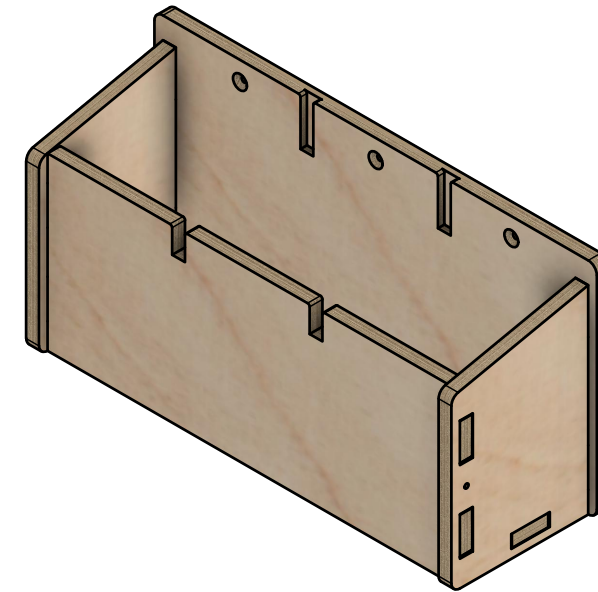
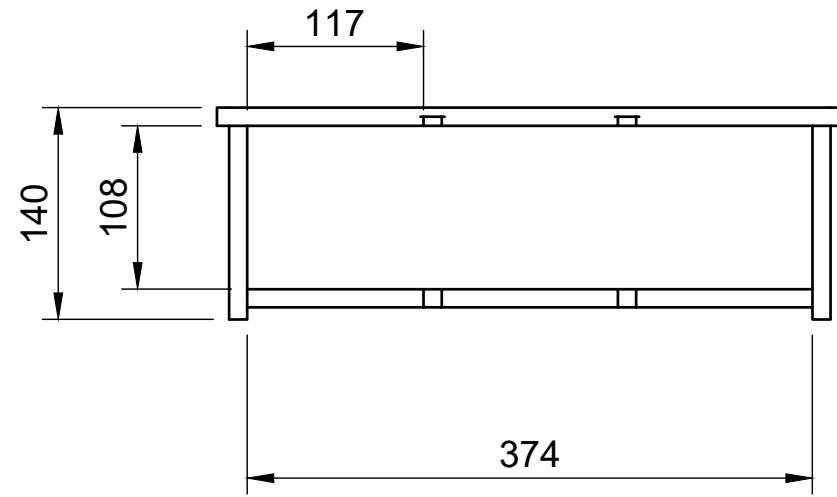
info@yoke-van-kits.co.uk

0208 132 9221

© 2023 Yoke CNC LTD

End Pot Organiser

SKU: SKU CODE



Page 2 - External Dimensions

All units in mm

Plywood thickness = 12mm

Notes

- Point A
- Point B
- Point C

YOKE VANS
info@yoke-van-kits.co.uk
0208 132 9221

© 2023 Yoke CNC LTD