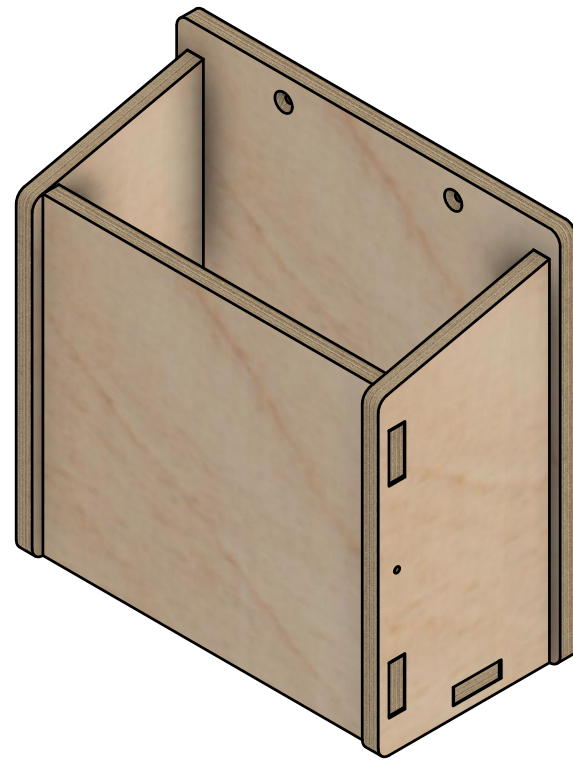


Small End Pot

SKU: SKU CODE



Page 1 - Overview

All units in mm

Plywood thickness = 12mm

Notes

- Designed to fix onto the end panels of the Yoke Vans racking systems.
- Available in other sizes.

YOKE VANS

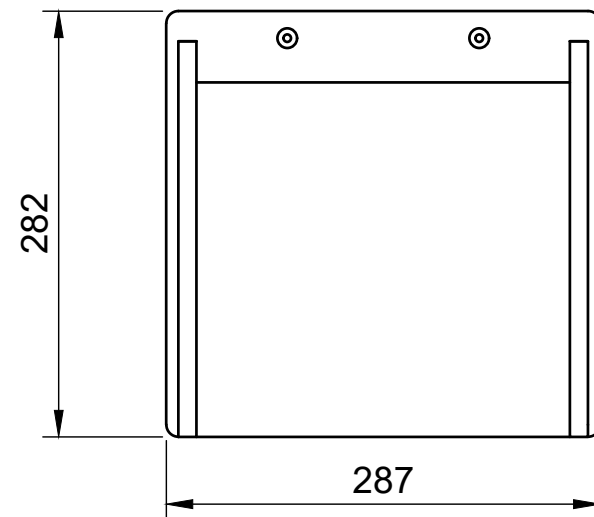
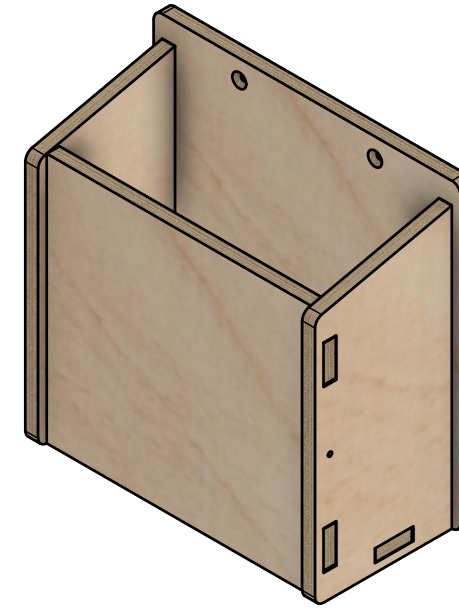
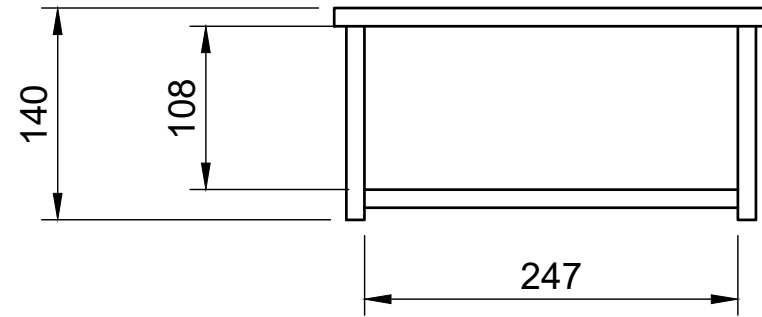
info@yoke-van-kits.co.uk

0208 132 9221

© 2023 Yoke CNC LTD

Small End Pot

SKU: SKU CODE



Page 2 - Product Dimensions

All units in mm

Plywood thickness = 12mm

Notes

- Designed to fix onto the end panels of the Yoke Vans racking systems.
- Available in other sizes.

YOKE VANS
info@yoke-van-kits.co.uk
0208 132 9221

© 2023 Yoke CNC LTD