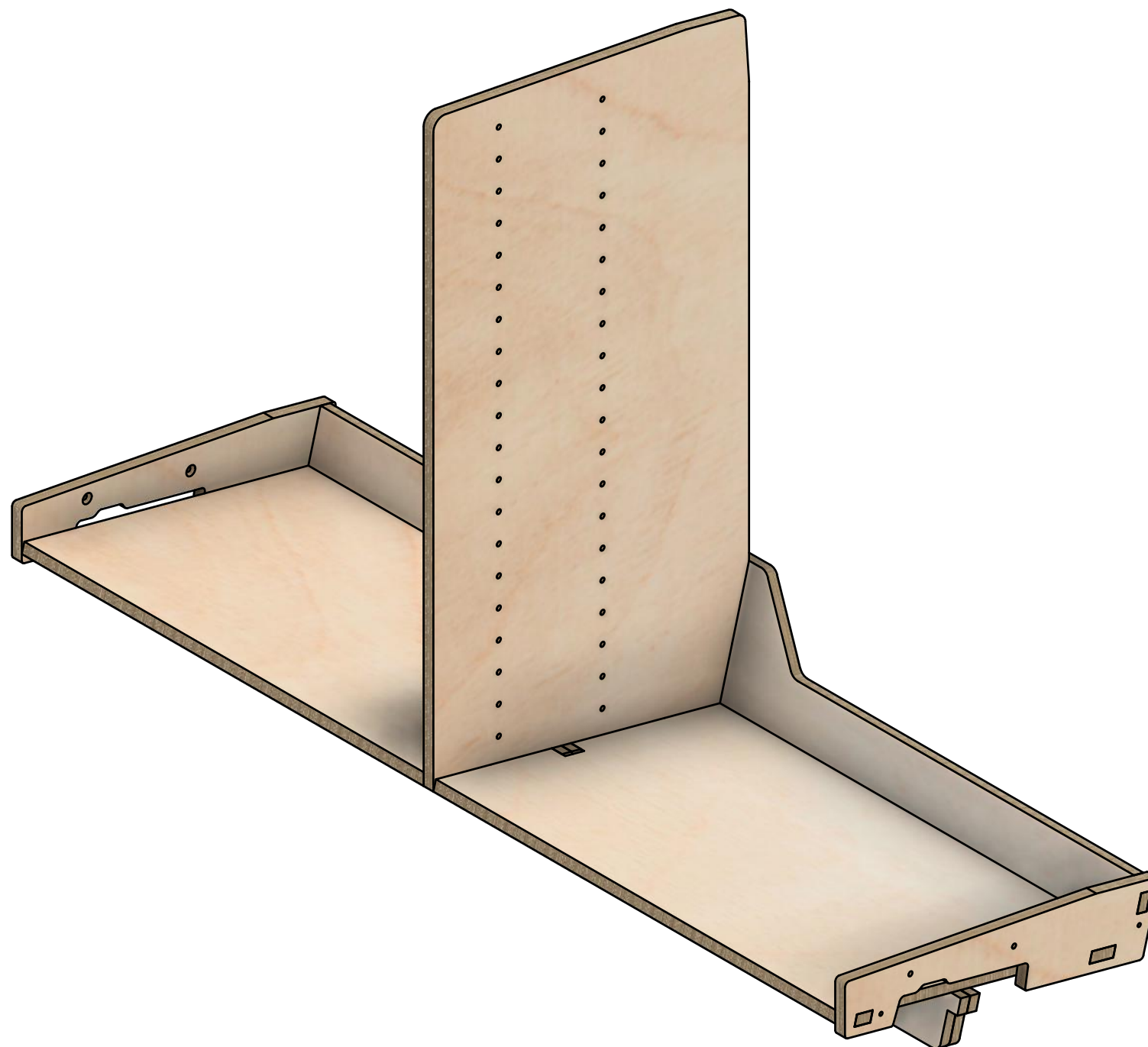


See notes below.

1020W | Double Slanted Unit

SKU: OUS_S01_NO.1_360



Page 1 - Overview

All units in mm

Plywood thickness = 12mm

Notes

- Module is designed to fit inside 1020W racking sections.
- This module can accept 504W bare bones & slanted modules once fixed inside a racking section.
- Designed to allow a clear underside section beneath the module.

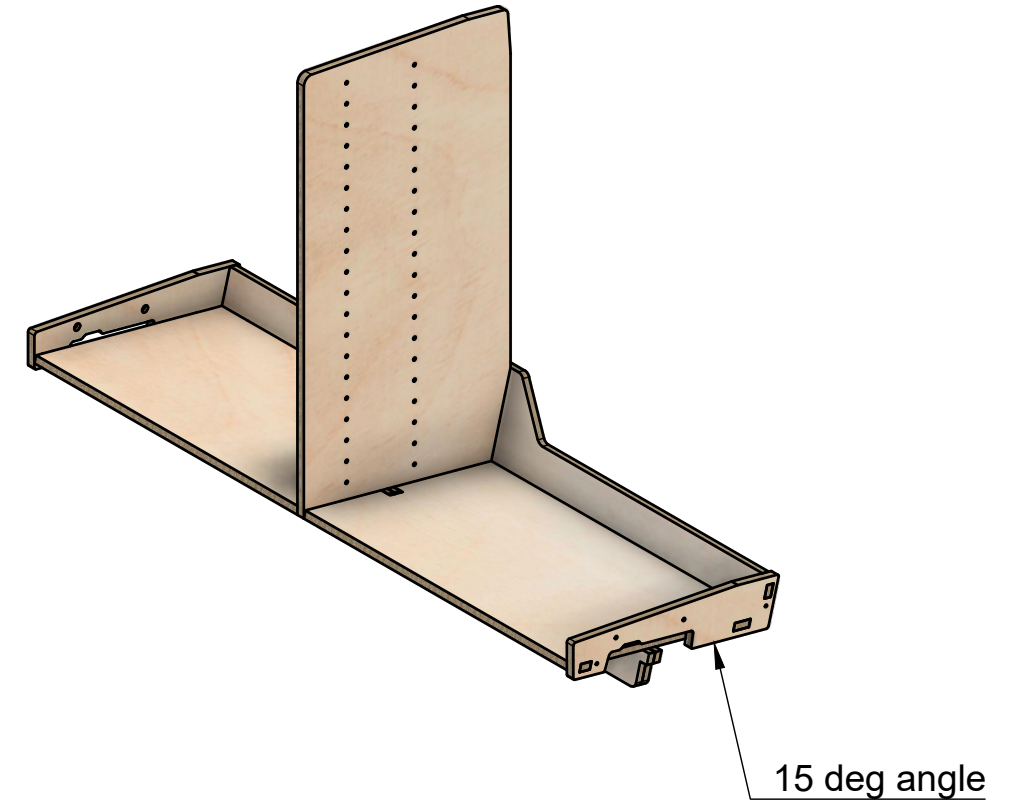
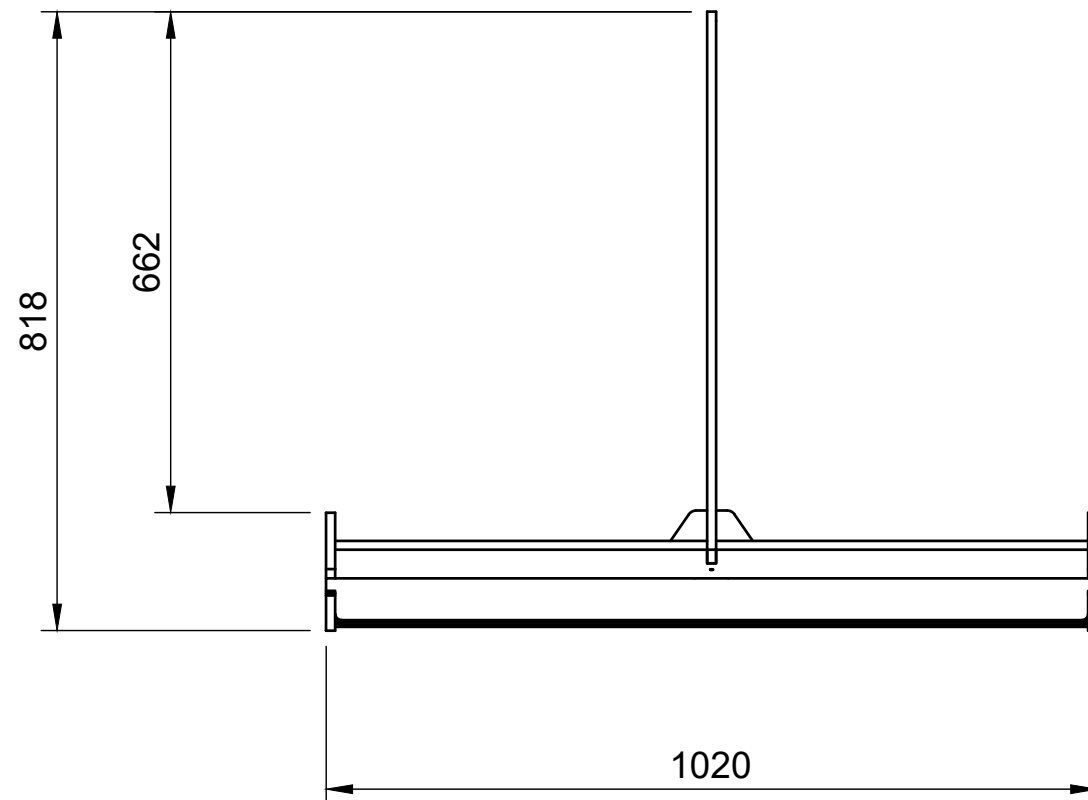
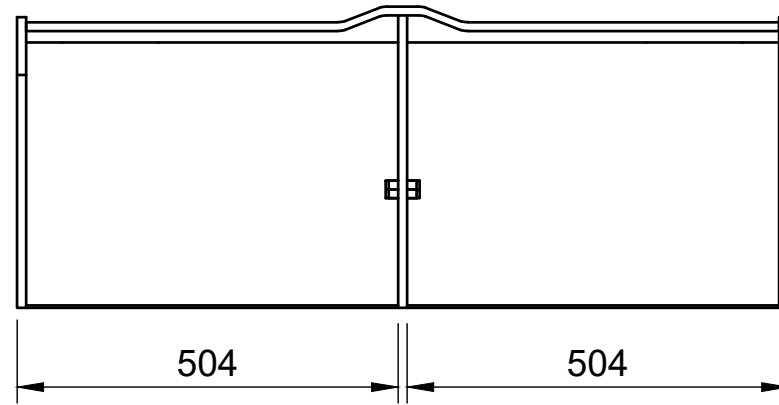
YOKE VANS
info@yoke-van-kits.co.uk
0208 132 9221

© 2023 Yoke CNC LTD

See notes below.

1020W | Double Slanted Unit

SKU: OUS_S01_NO.1_360



Page 2 - Product Dimensions

All units in mm

Plywood thickness = 12mm

Notes

- Module is designed to fit inside 1020W racking sections.
- This module can accept 504W bare bones & slanted modules once fixed inside a racking section.
- Designed to allow a clear underside section beneath the module.

YOKE VANS
info@yoke-van-kits.co.uk
0208 132 9221

© 2023 Yoke CNC LTD