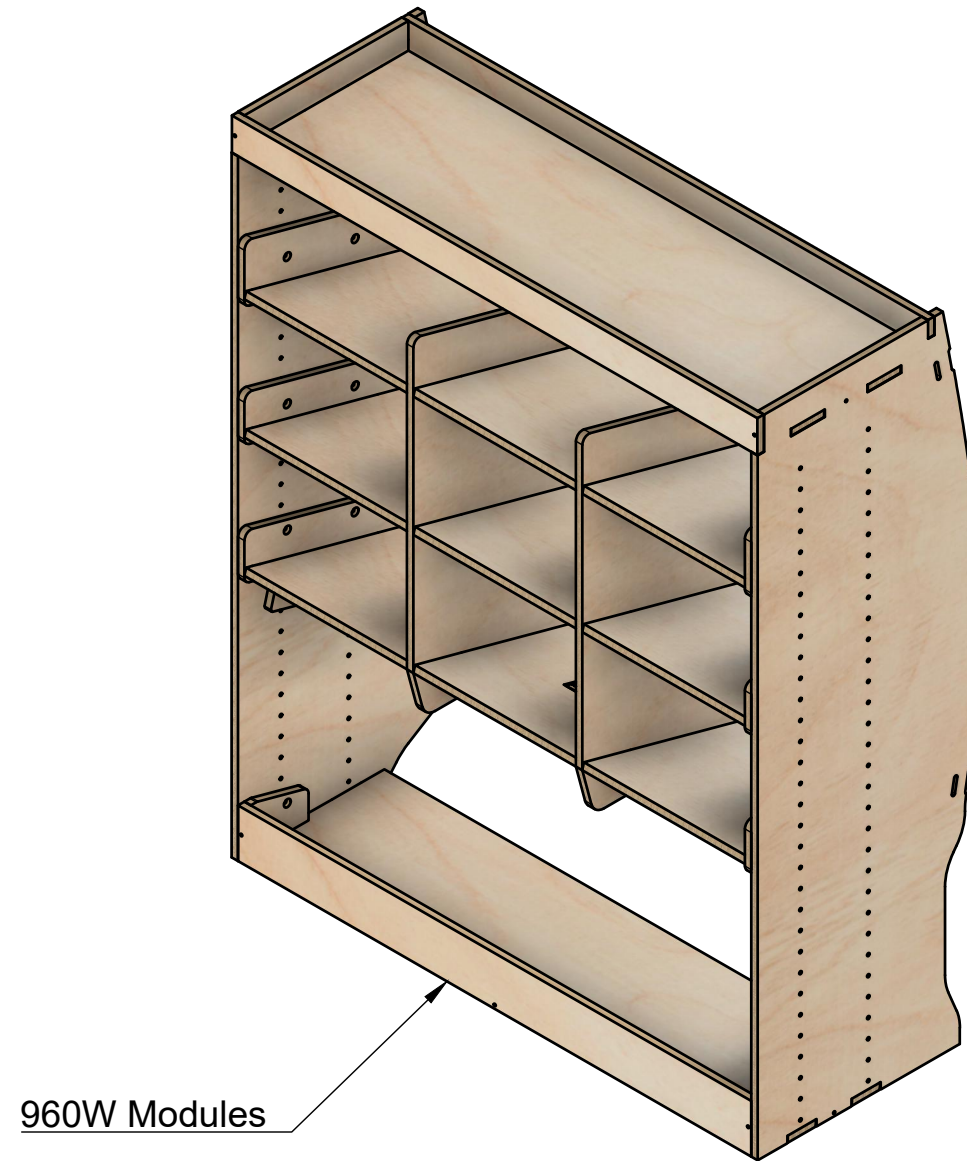


Citroen Dispatch | 2016on | L2H1 (MWB) | Panel Van  
Peugeot Expert | 2016on | L2H1 (MWB) | Panel Van  
Toyota Proace | 2016on | L2H1 (MWB) | Panel Van  
Vauxhall Vivaro | 2019on | L1H1 (SWB) | Panel Van

## Euro Crate Rack (Passenger Side)

SKU: EDP\_16\_L1-2\_PS\_9EO170



### Page 1 - Overview

All units in mm

Plywood thickness = 12mm

#### Notes

- Each section of rack can accept other modules with the same width.
- The 960W euro crate module is constructed as 1 interlocked module. The shelf spacing of that module is fixed.

**YOKE VANS**

info@yoke-van-kits.co.uk

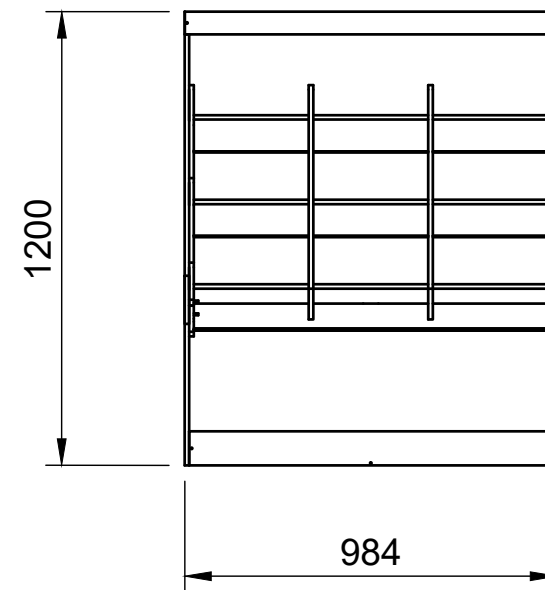
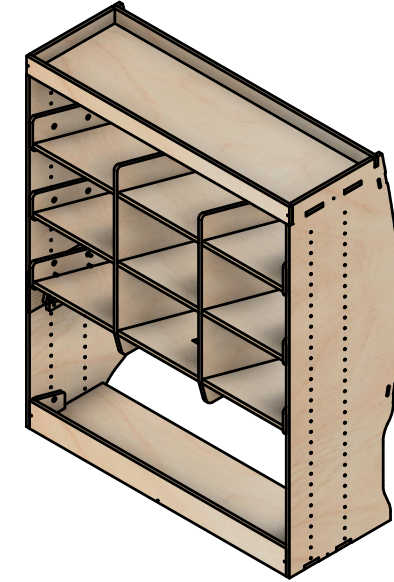
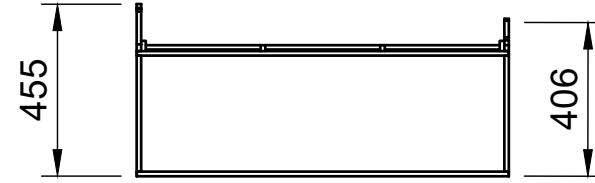
0208 132 9221

© 2023 Yoke CNC LTD

Citroen Dispatch | 2016on | L2H1 (MWB) | Panel Van  
Peugeot Expert | 2016on | L2H1 (MWB) | Panel Van  
Toyota Proace | 2016on | L2H1 (MWB) | Panel Van  
Vauxhall Vivaro | 2019on | L1H1 (SWB) | Panel Van

## Euro Crate Rack (Passenger Side)

SKU: EDP\_16\_L1-2\_PS\_9EO170



### Page 2 - External Dimensions

All units in mm

Plywood thickness = 12mm

#### Notes

- All dimensions on this page are external.

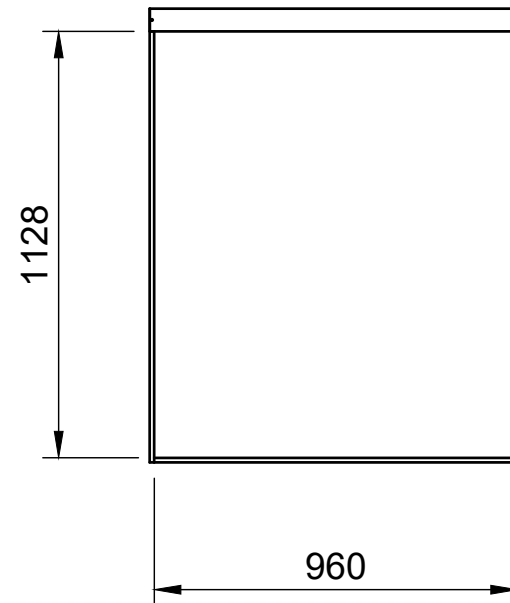
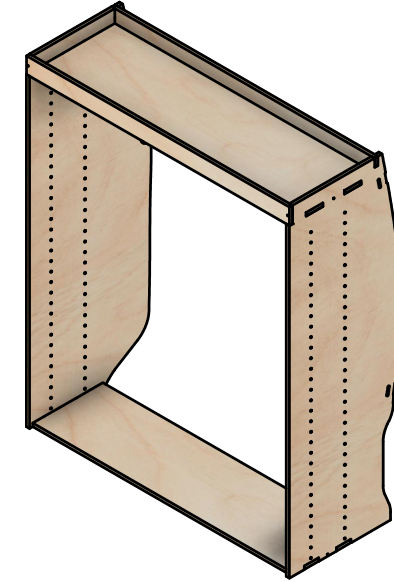
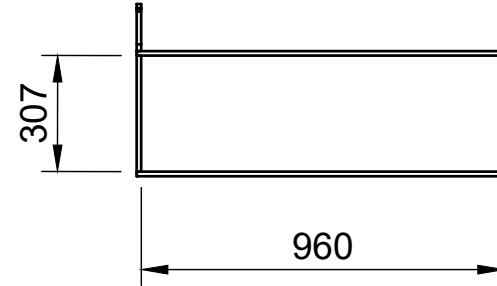
**YOKE VANS**  
info@yoke-van-kits.co.uk  
0208 132 9221

© 2023 Yoke CNC LTD

Citroen Dispatch | 2016on | L2H1 (MWB) | Panel Van  
Peugeot Expert | 2016on | L2H1 (MWB) | Panel Van  
Toyota Proace | 2016on | L2H1 (MWB) | Panel Van  
Vauxhall Vivaro | 2019on | L1H1 (SWB) | Panel Van

## Euro Crate Rack (Passenger Side)

SKU: EDP\_16\_L1-2\_PS\_9EO170



### Page 3 - Internal Dimensions

All units in mm

Plywood thickness = 12mm

#### Notes

- All Dimensions on this page are internal.
- Each section of rack can accept other modules with the same width.

**YOKE VANS**  
info@yoke-van-kits.co.uk  
0208 132 9221

© 2023 Yoke CNC LTD