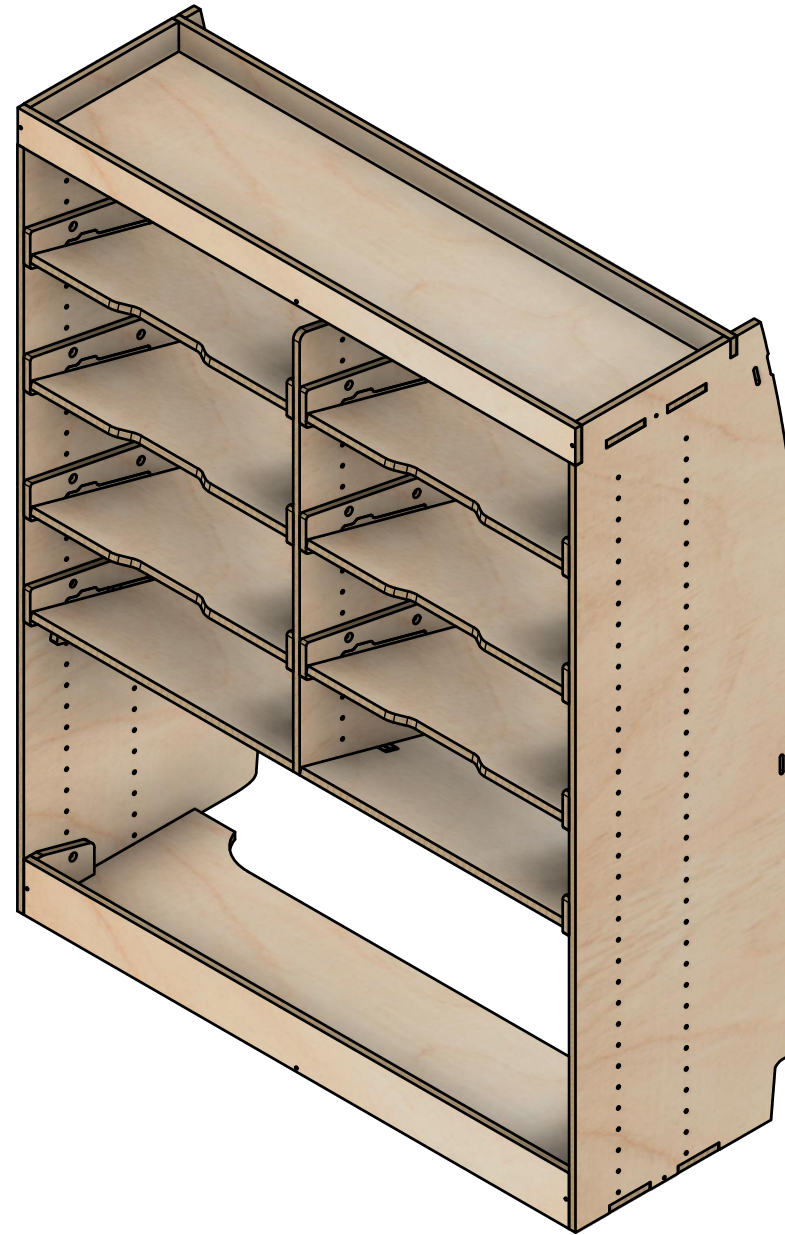


Toolbox Stack No.2

SKU: FDCU_13-23_L1H1_PS_TBS4



Page 1 - Overview

All units in mm

Plywood thickness = 12mm

Notes

- Inner modules can be moved up & down.
- The shelving carcass can accept other modules of the same width.

YOKE VANS

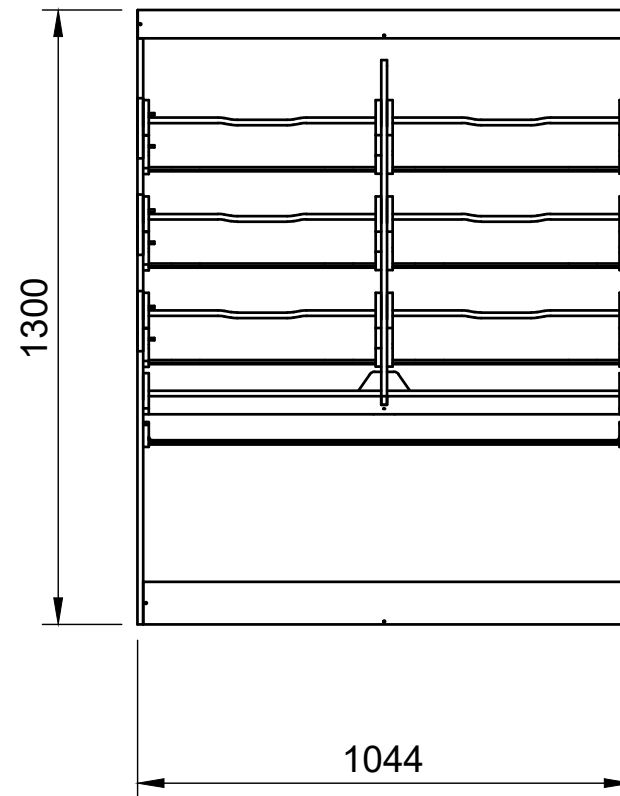
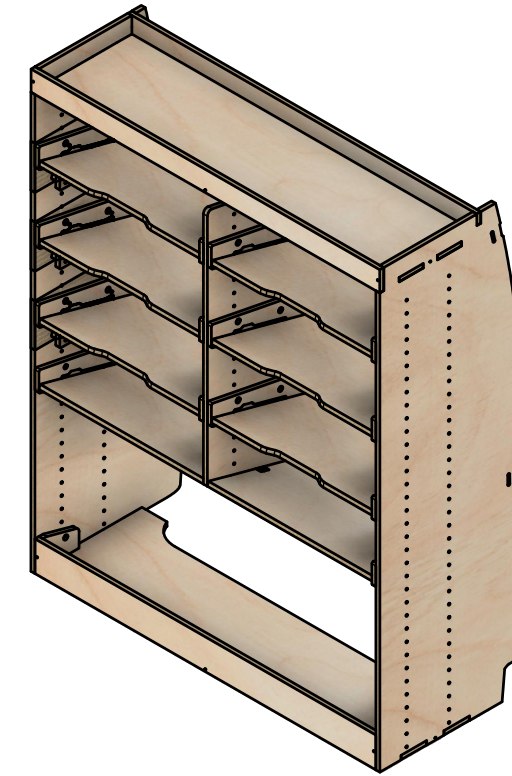
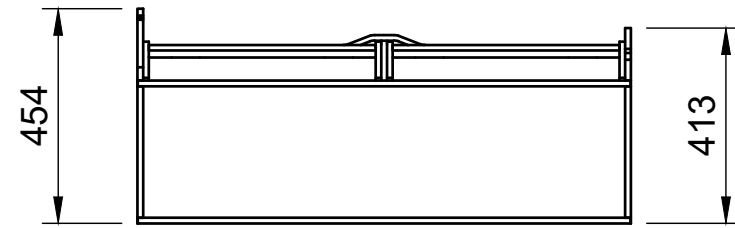
info@yoke-van-kits.co.uk

0208 132 9221

© 2023 Yoke CNC LTD

Toolbox Stack No.2

SKU: FDCU_13-23_L1H1_PS_TBS4



Page 2 - External Dimensions

All units in mm

Plywood thickness = 12mm

Notes

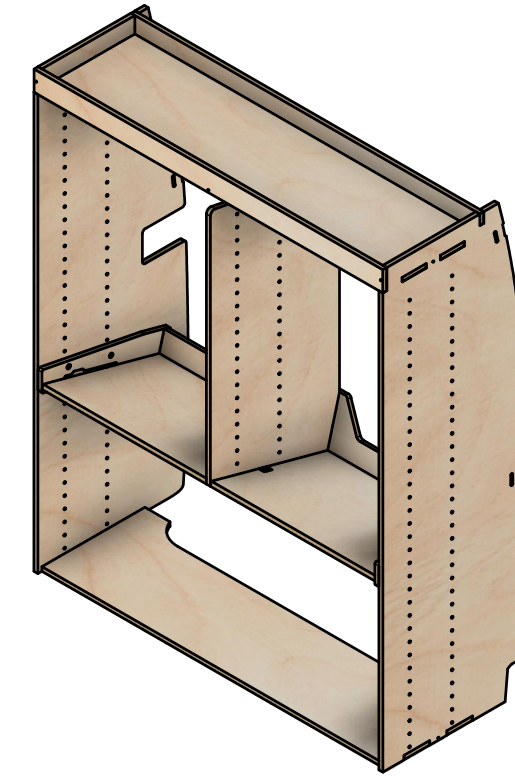
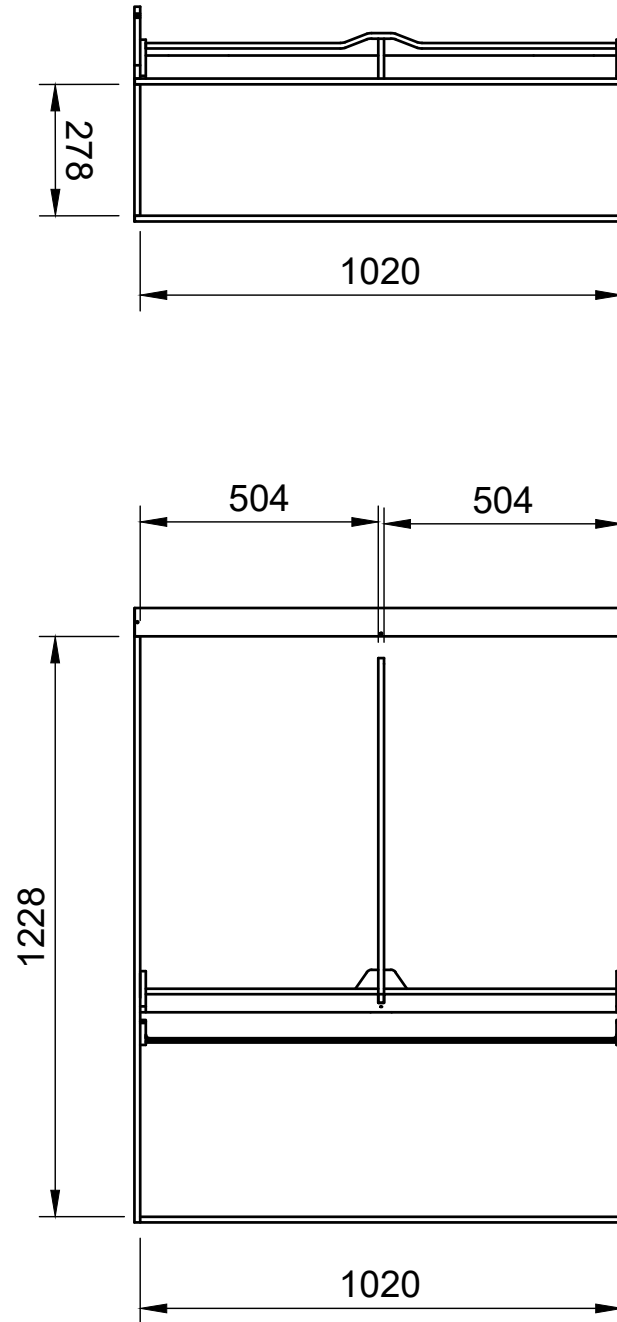
- All dimensions on this page are external.

YOKE VANS
info@yoke-van-kits.co.uk
0208 132 9221

© 2023 Yoke CNC LTD

Toolbox Stack No.2

SKU: FDCU_13-23_L1H1_PS_TBS4



Page 3 - Internal Dimensions

All units in mm

Plywood thickness = 12mm

Notes

- All Dimensions on this page are internal.
- Each section of rack can accept other modules with the same width.

YOKE VANS
info@yoke-van-kits.co.uk
0208 132 9221

© 2023 Yoke CNC LTD