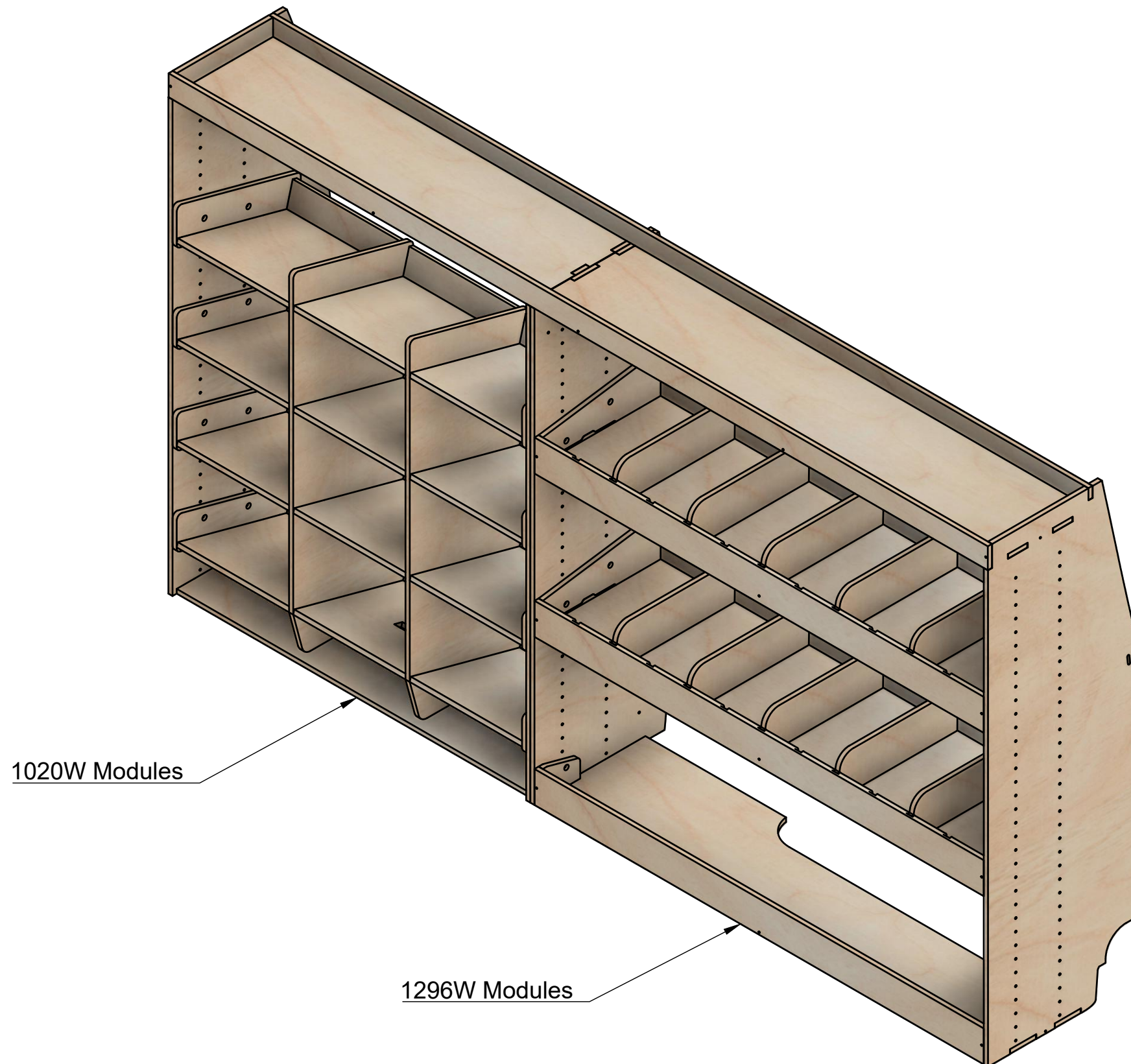


# Combo No.7

SKU: FDCU\_13-23\_L2H1\_C7



1020W Modules

1296W Modules

## Page 1 - Overview

All units in mm

Plywood thickness = 12mm

### Notes

- The spacing of most internal modules can be adjusted up or down.
- Each section of rack can accept other modules with the same width.
- The 1020W euro crate module is constructed as 1 interlocked module. The shelf spacing of that module is fixed.

**YOKE VANS**

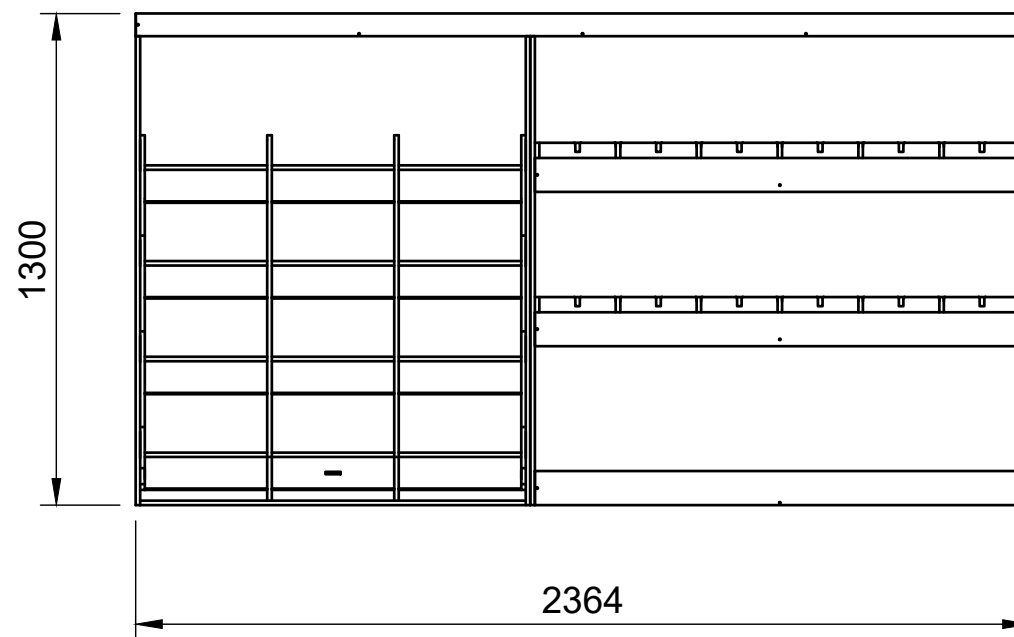
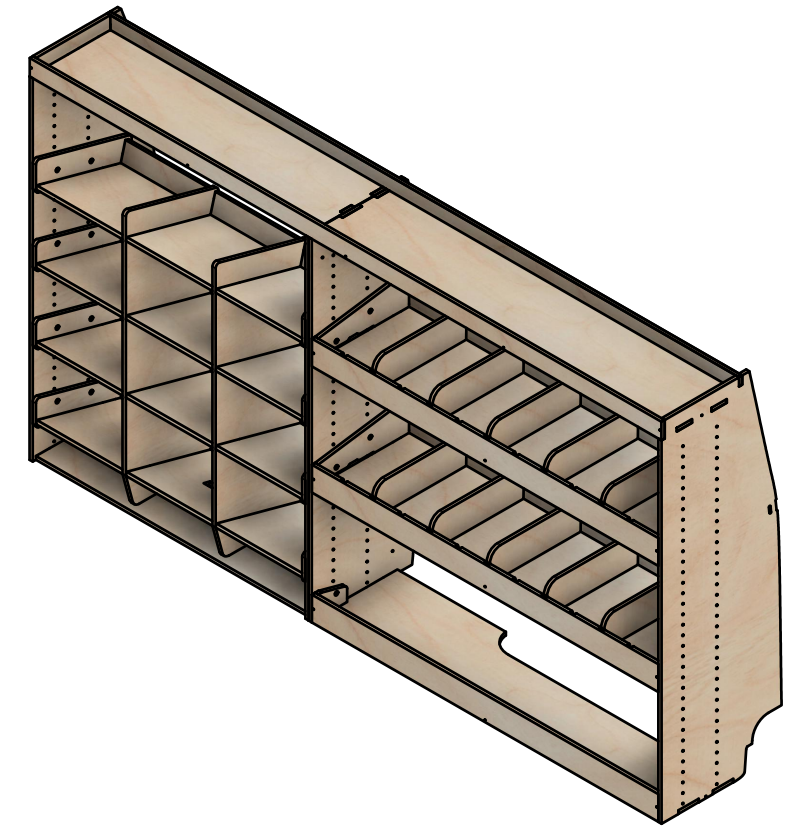
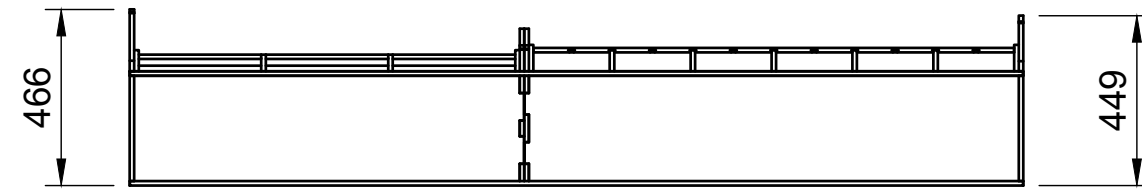
info@yoke-van-kits.co.uk

0208 132 9221

© 2023 Yoke CNC LTD

# Combo No.7

SKU: FDCU\_13-23\_L2H1\_C7



## Page 2 - External Dimensions

All units in mm

Plywood thickness = 12mm

### Notes

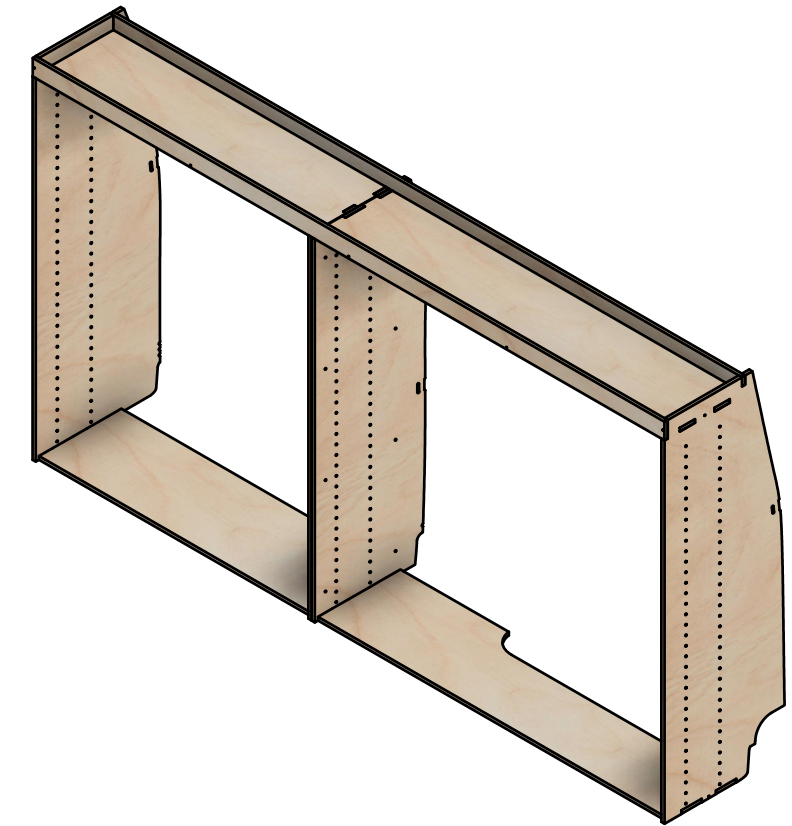
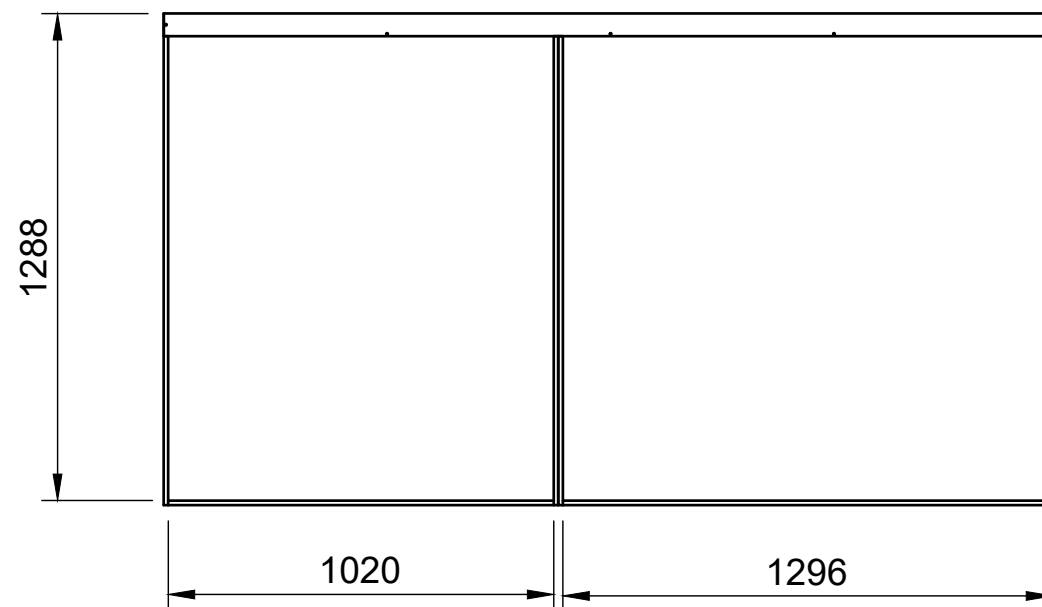
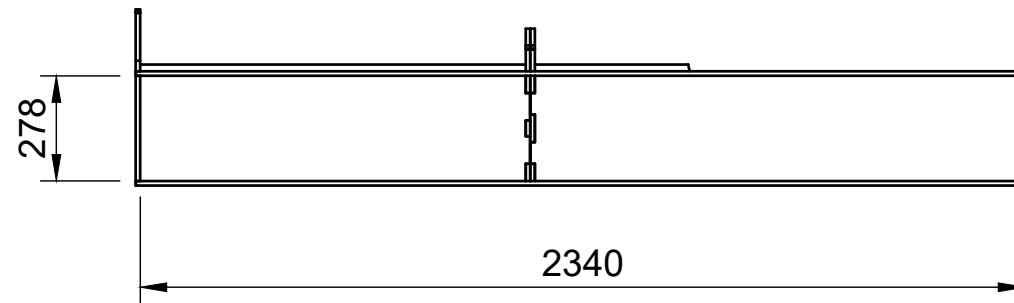
- All dimensions on this page are external.

**YOKE VANS**  
info@yoke-van-kits.co.uk  
0208 132 9221

© 2023 Yoke CNC LTD

# Combo No.7

SKU: FDCU\_13-23\_L2H1\_C7



## Page 3 - Internal Dimensions

All units in mm

Plywood thickness = 12mm

### Notes

- All Dimensions on this page are internal.
- Each section of rack can accept other modules with the same width.

**YOKE VANS**  
info@yoke-van-kits.co.uk  
0208 132 9221

© 2023 Yoke CNC LTD