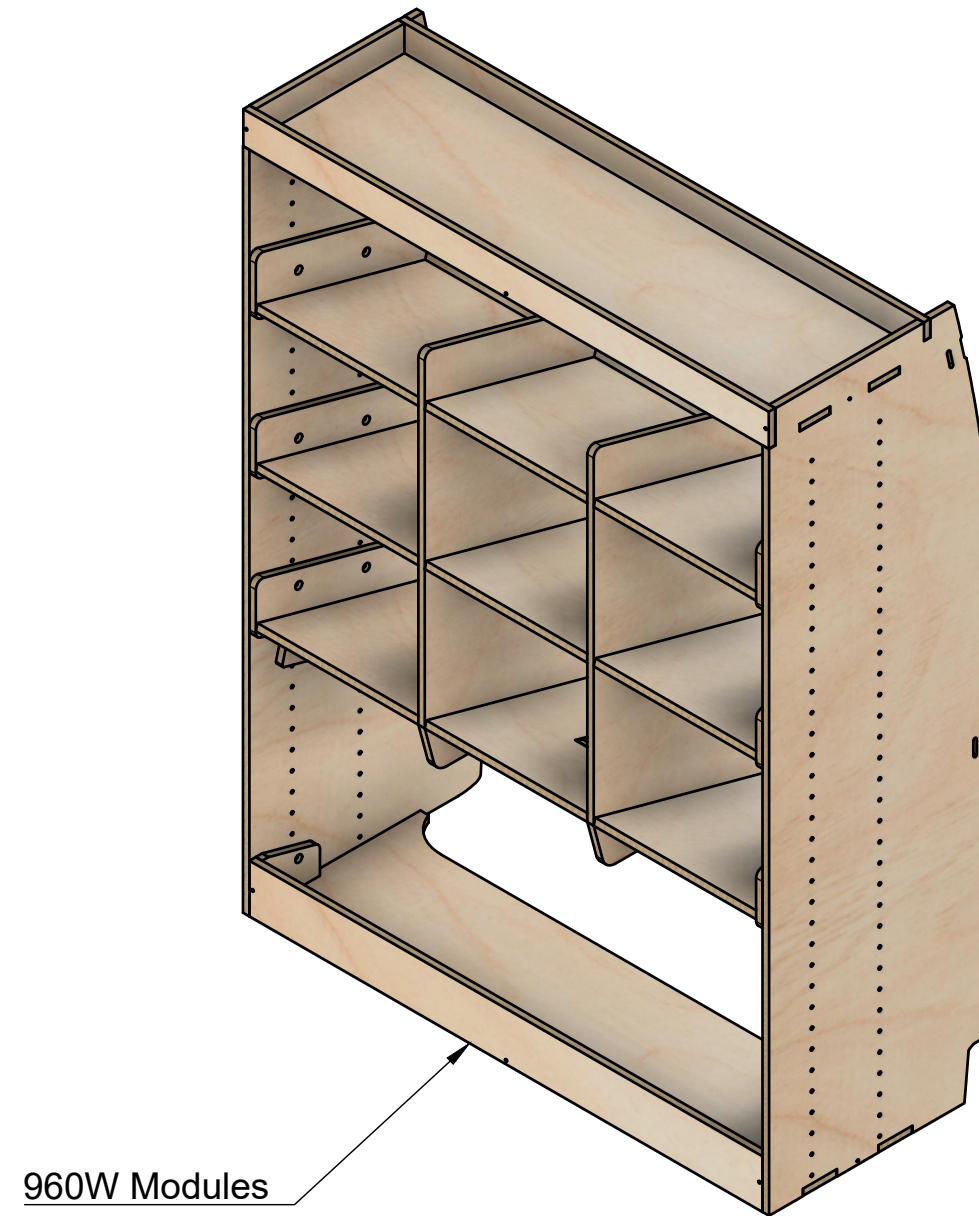


Euro Crate Rack

SKU: FDCU_13-23_PS_9EO220



Page 1 - Overview

All units in mm

Plywood thickness = 12mm

Notes

- The inner 960W euro crate module is constructed as 1 interlocked module. It can be moved up & down but the shelf spacing is fixed.
- The shelving carcass can accept other modules of the same width.
- Has 9 bays for euro containers = 400x300x220mm

YOKE VANS

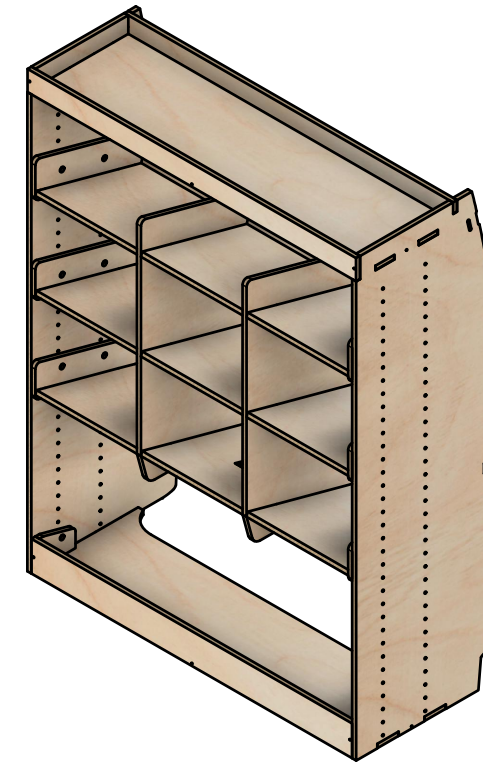
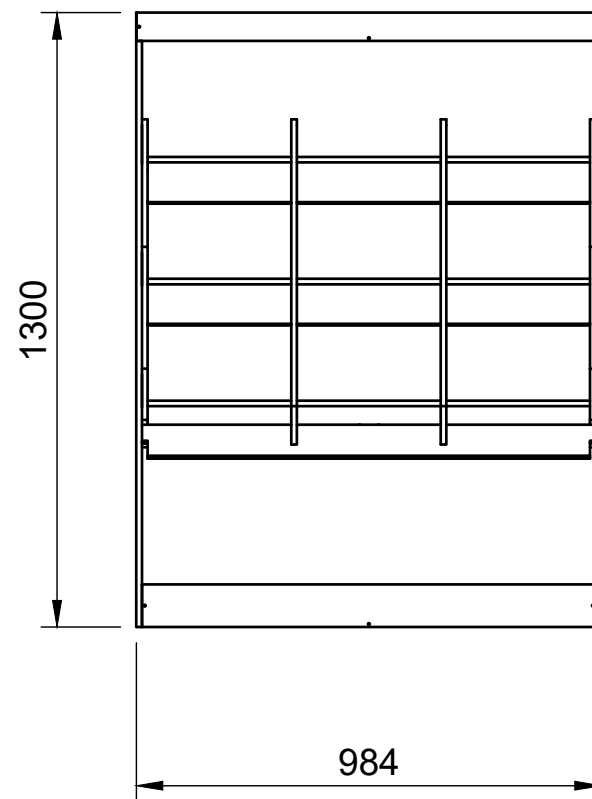
info@yoke-van-kits.co.uk

0208 132 9221

© 2023 Yoke CNC LTD

Euro Crate Rack

SKU: FDCU_13-23_PS_9EO220



Page 2 - External Dimensions

All units in mm

Plywood thickness = 12mm

Notes

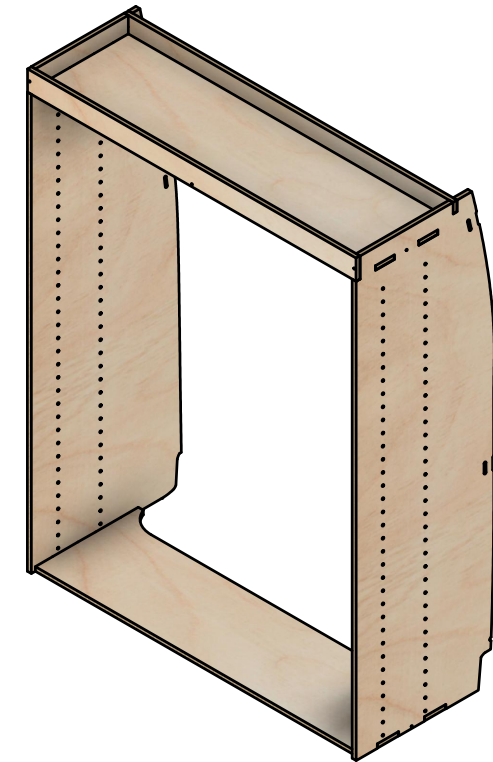
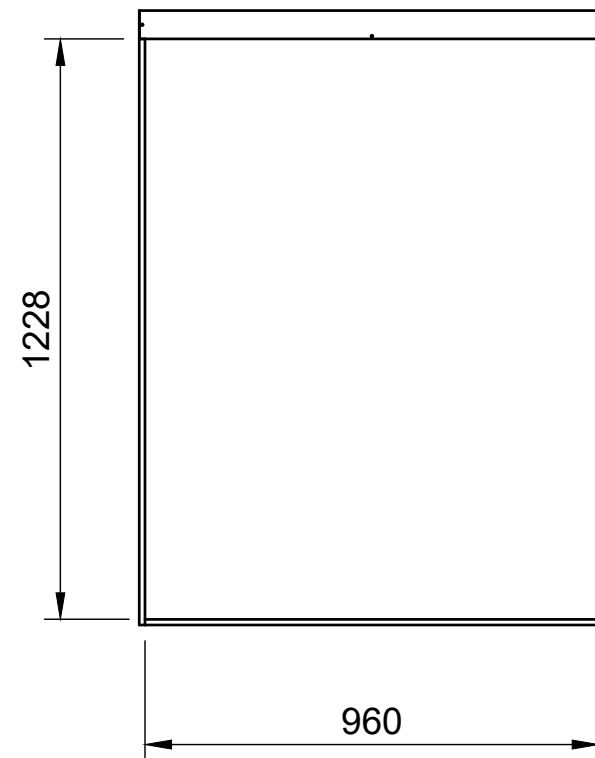
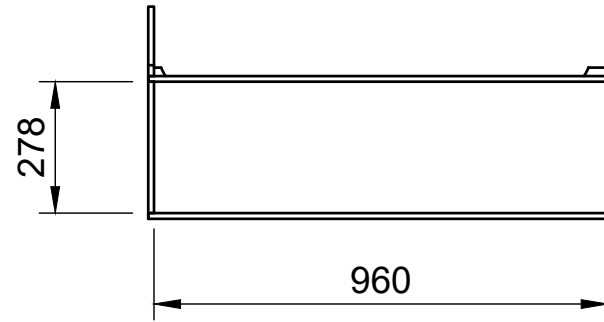
- All dimensions on this page are external.

YOKE VANS
info@yoke-van-kits.co.uk
0208 132 9221

© 2023 Yoke CNC LTD

Euro Crate Rack

SKU: FDCU_13-23_PS_9EO220



Page 3 - Internal Dimensions

All units in mm

Plywood thickness = 12mm

Notes

- All Dimensions on this page are internal.
- Each section of rack can accept other modules with the same width.

YOKE VANS
info@yoke-van-kits.co.uk
0208 132 9221

© 2023 Yoke CNC LTD