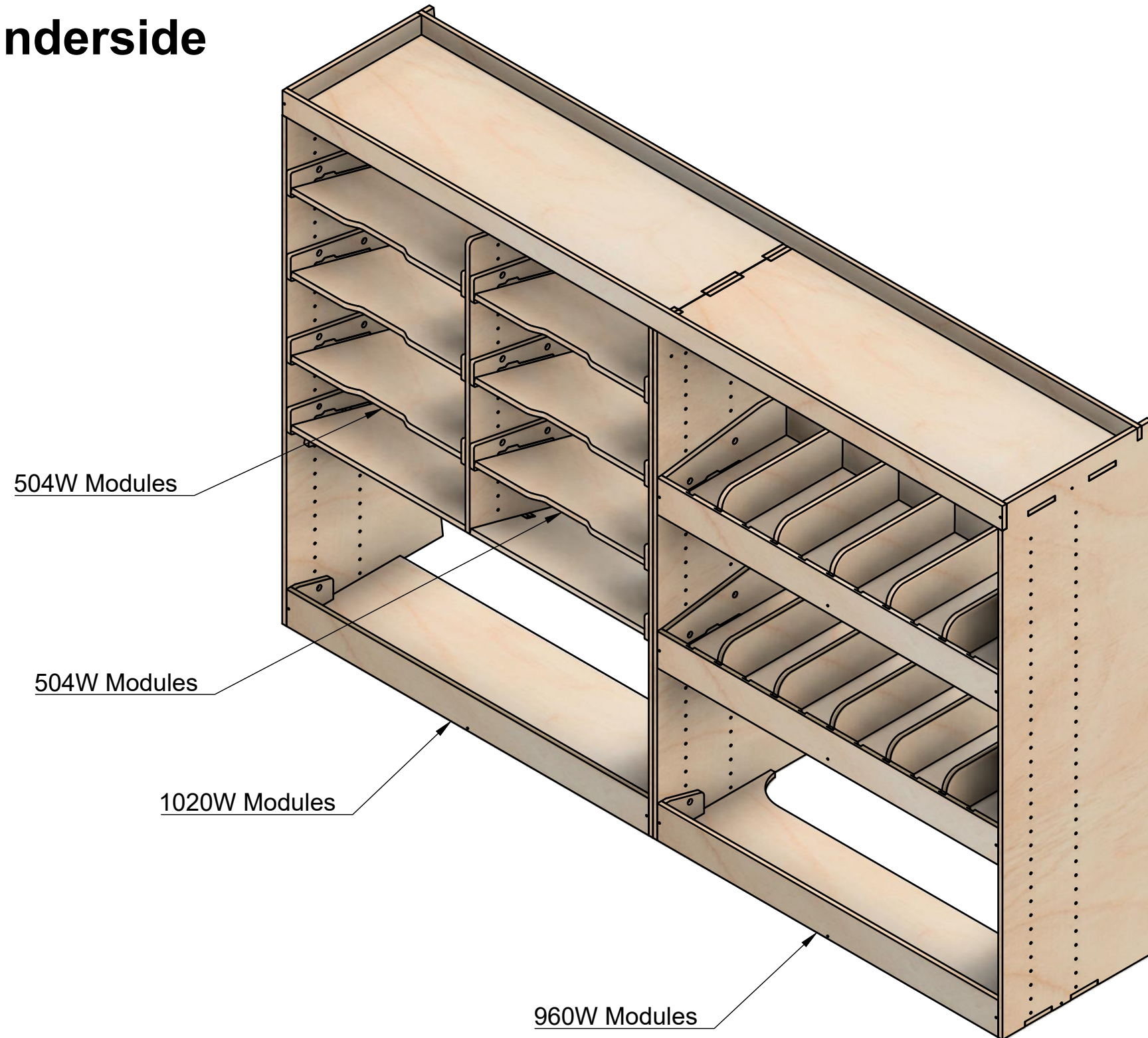


Renault Trafic | 2014on | L1H1 (SWB) | Panel Van  
Vauxhall Vivaro | 2014-19 | L1H1 (SWB) | Panel Van  
Nissan NV300 | 2016on | L1H1 (SWB) | Panel Van  
Fiat Talento | 2016-20 | L1H1 (SWB) | Panel Van

## Combo No.4 Open Underside

SKU: TVN\_14\_L1\_C4 OU



### Page 1 - Overview

All units in mm

Plywood thickness = 12mm

#### Notes

- The spacing of internal modules can be adjusted up or down.
- Each section of rack can accept other modules with the same width.
- All dividers are removable.

**YOKE VANS**

info@yoke-van-kits.co.uk

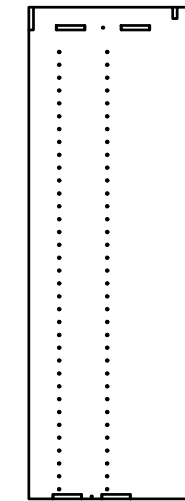
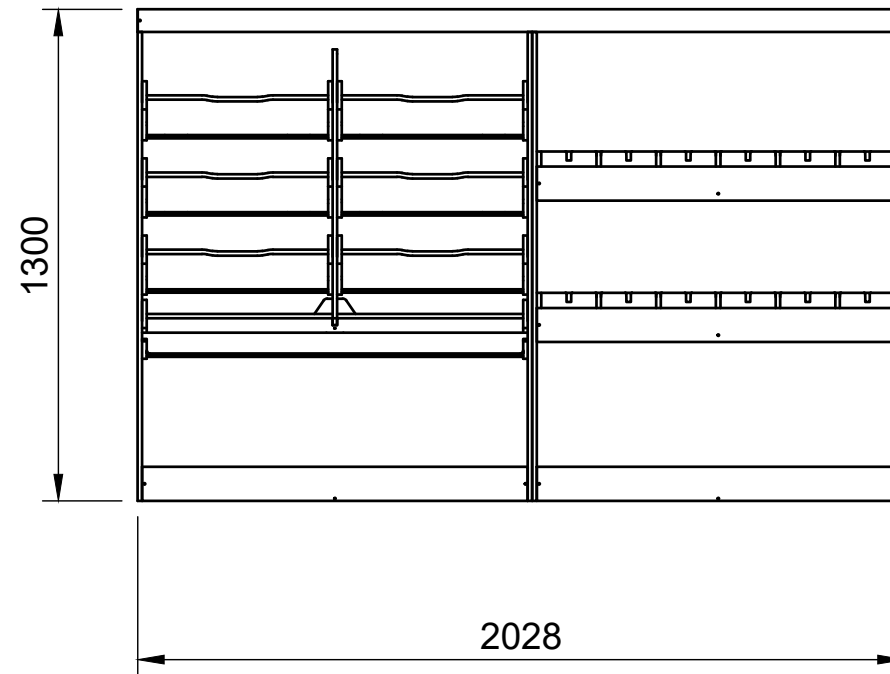
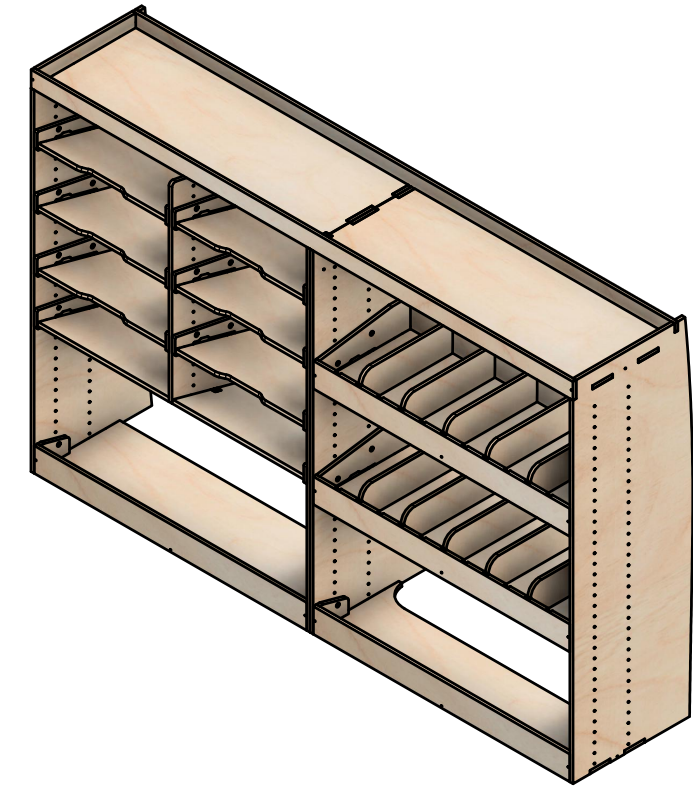
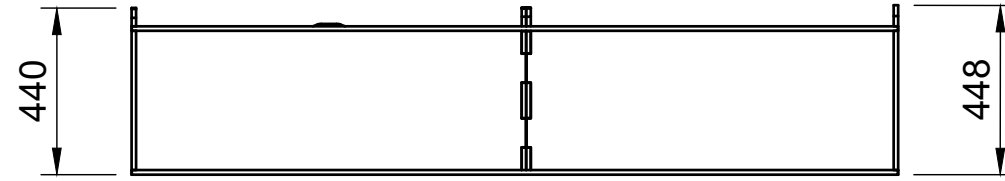
0208 132 9221

© 2023 Yoke CNC LTD

Renault Trafic | 2014on | L1H1 (SWB) | Panel Van  
Vauxhall Vivaro | 2014-19 | L1H1 (SWB) | Panel Van  
Nissan NV300 | 2016on | L1H1 (SWB) | Panel Van  
Fiat Talento | 2016-20 | L1H1 (SWB) | Panel Van

## Combo No.4 Open Underside

SKU: TVN\_14\_L1\_C4 OU



### Page 2 - External Dimensions

All units in mm

Plywood thickness = 12mm

#### Notes

- All dimensions on this page are external.

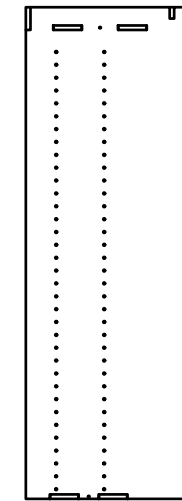
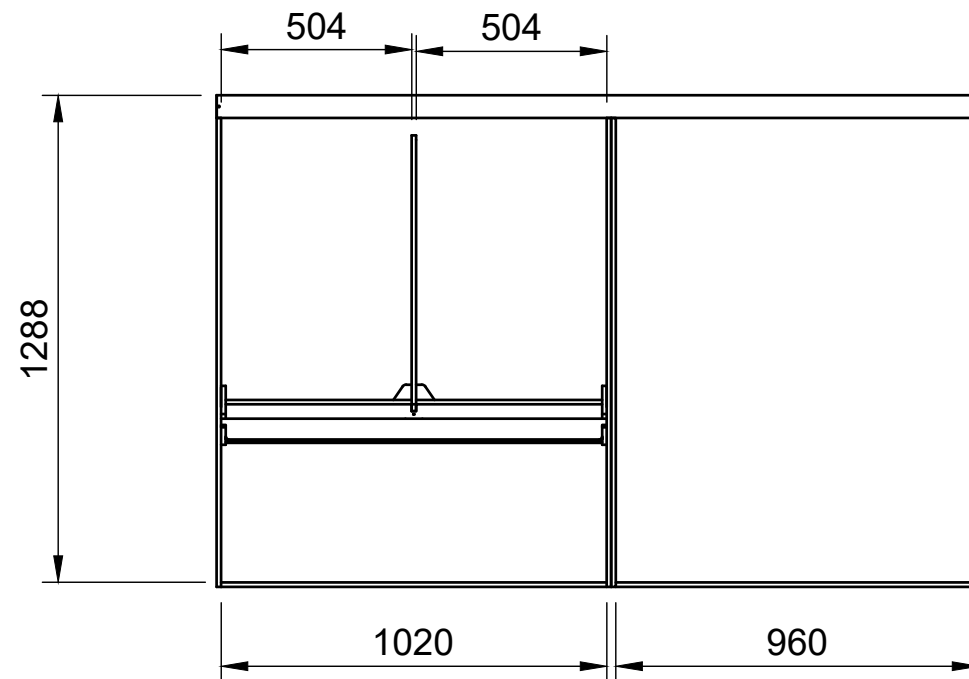
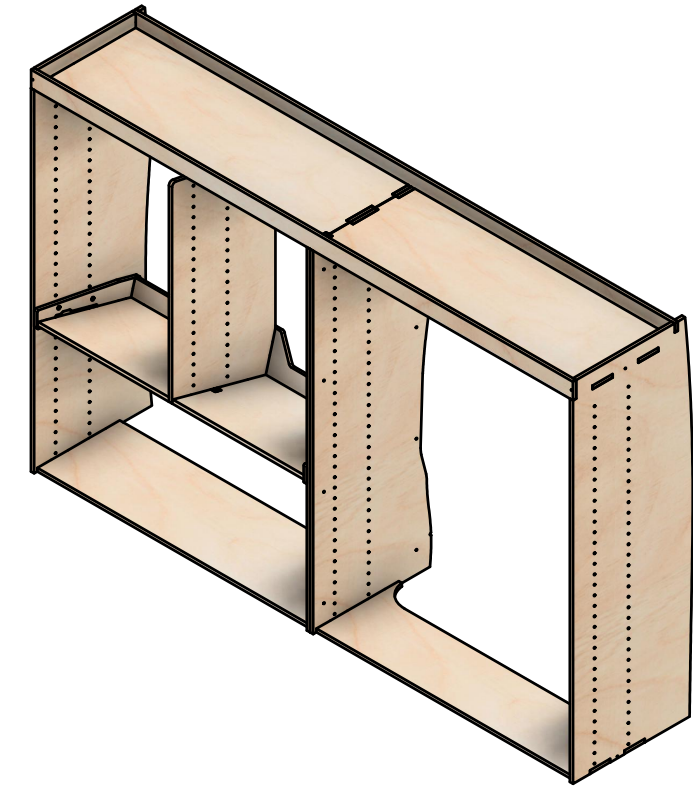
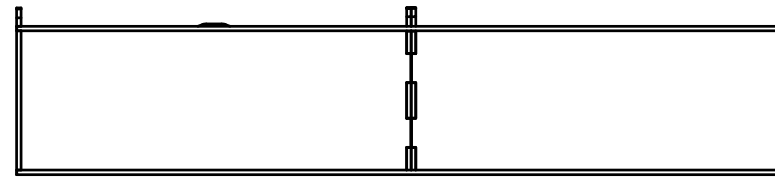
**YOKE VANS**  
info@yoke-van-kits.co.uk  
0208 132 9221

© 2023 Yoke CNC LTD

Renault Trafic | 2014on | L1H1 (SWB) | Panel Van  
Vauxhall Vivaro | 2014-19 | L1H1 (SWB) | Panel Van  
Nissan NV300 | 2016on | L1H1 (SWB) | Panel Van  
Fiat Talento | 2016-20 | L1H1 (SWB) | Panel Van

## Combo No.4 Open Underside

SKU: TVN\_14\_L1\_C4 OU



### Page 3 - Internal Dimensions

All units in mm

Plywood thickness = 12mm

#### Notes

- All Dimensions on this page are internal.
- Each section of rack can accept other modules with the same width.

**YOKE VANS**  
info@yoke-van-kits.co.uk  
0208 132 9221

© 2023 Yoke CNC LTD