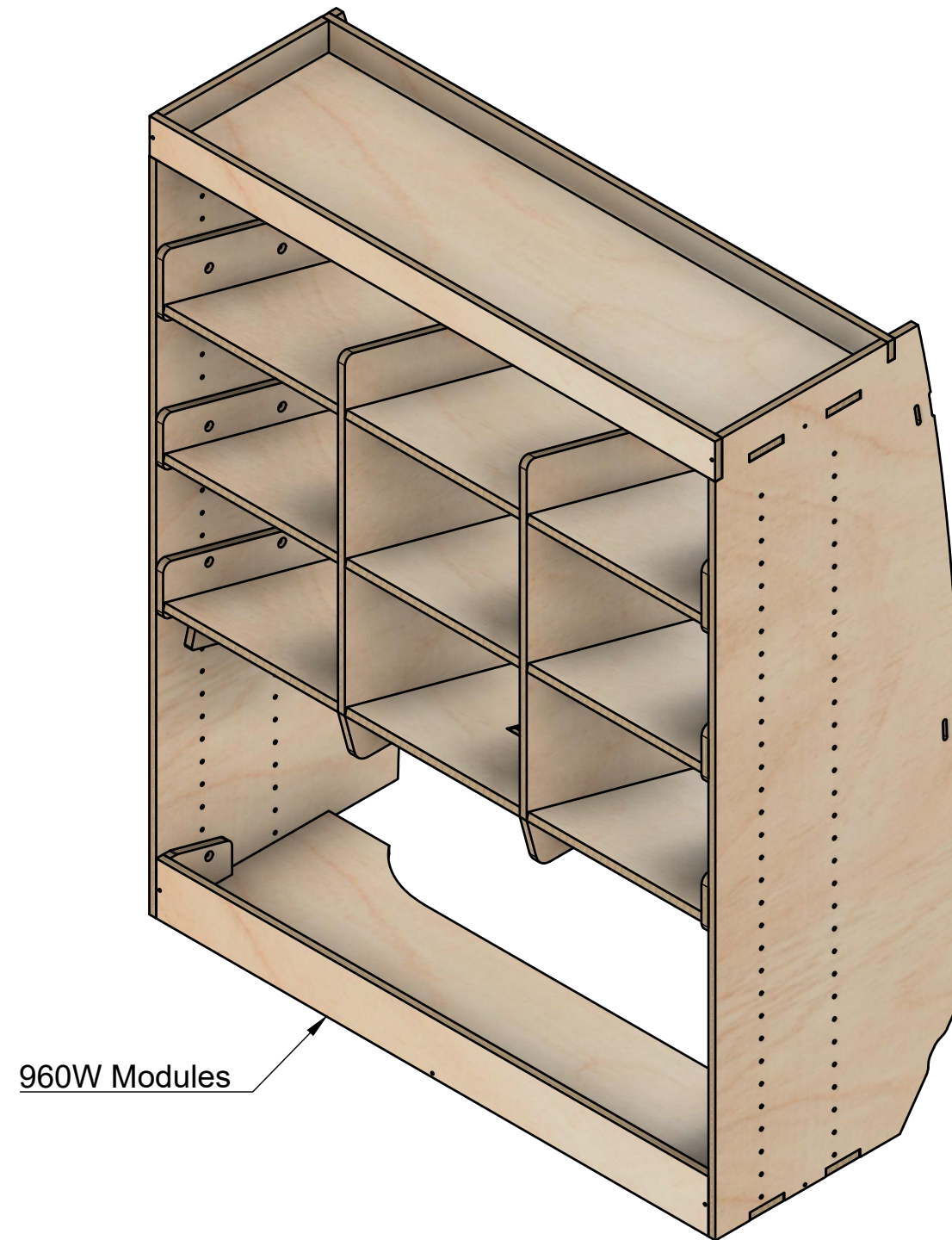


# Euro Crate Rack

SKU: VWT56\_L1\_PS\_9EO170



## Page 1 - Overview

All units in mm

Plywood thickness = 12mm

### Notes

- 9 bays for 400x300x170mm euro containers.

**YOKE VANS**

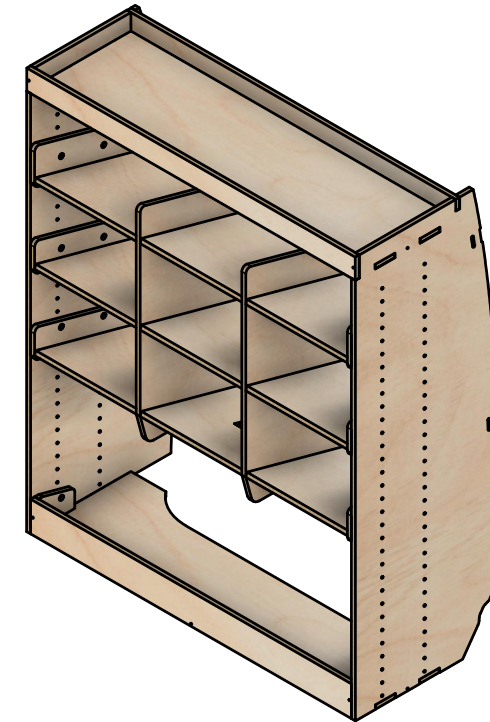
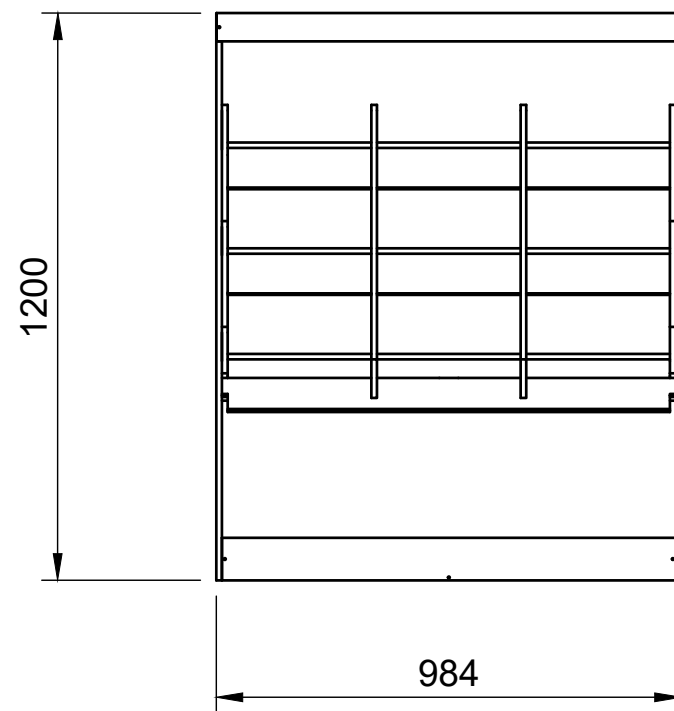
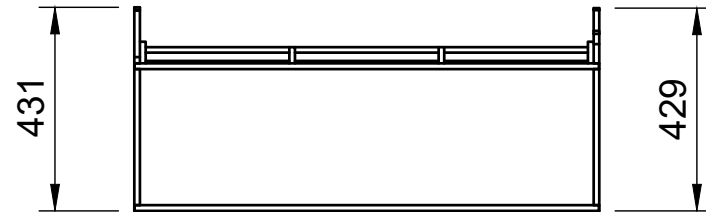
info@yoke-van-kits.co.uk

0208 132 9221

© 2023 Yoke CNC LTD

# Euro Crate Rack

SKU: VWT56\_L1\_PS\_9EO170



## Page 2 - External Dimensions

All units in mm

Plywood thickness = 12mm

### Notes

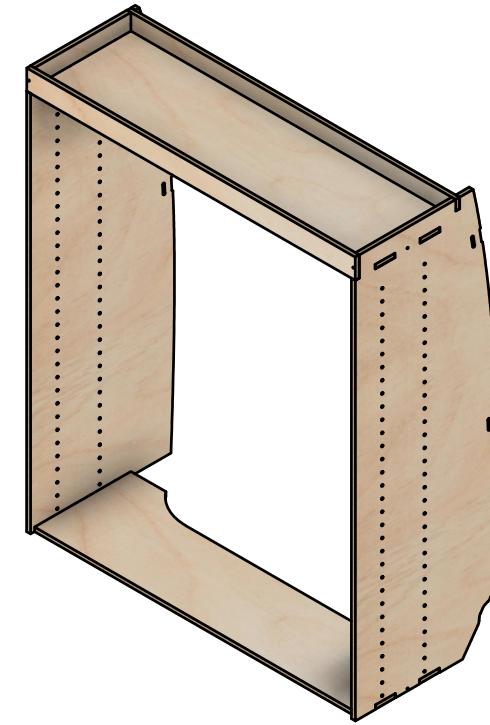
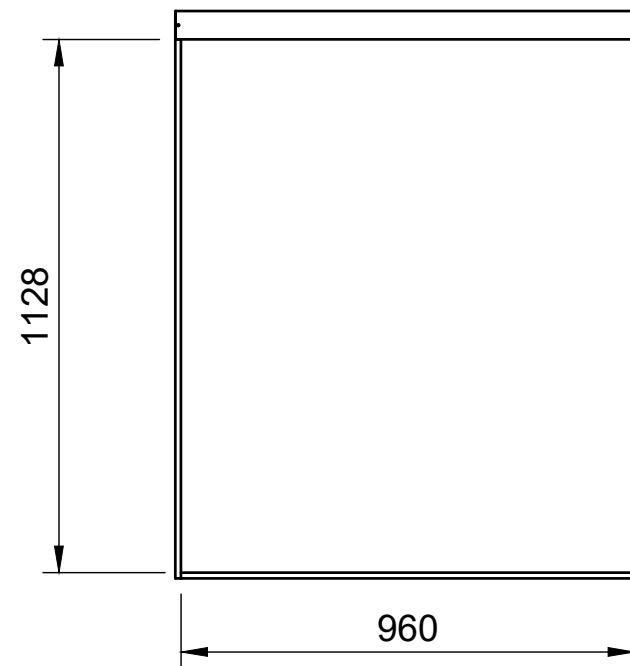
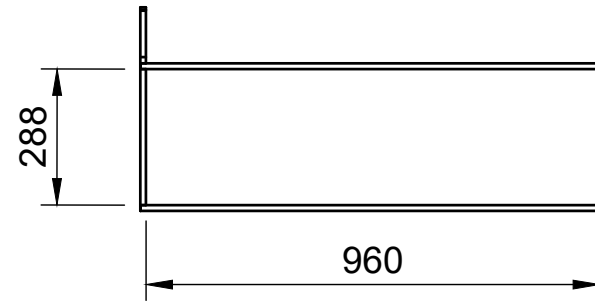
- All units on this page are external.

**YOKE VANS**  
info@yoke-van-kits.co.uk  
0208 132 9221

© 2023 Yoke CNC LTD

# Euro Crate Rack

SKU: VWT56\_L1\_PS\_9EO170



## Page 3 - Internal Dimensions

All units in mm

Plywood thickness = 12mm

### Notes

- All units on this page are internal.

**YOKE VANS**  
info@yoke-van-kits.co.uk  
0208 132 9221

© 2023 Yoke CNC LTD