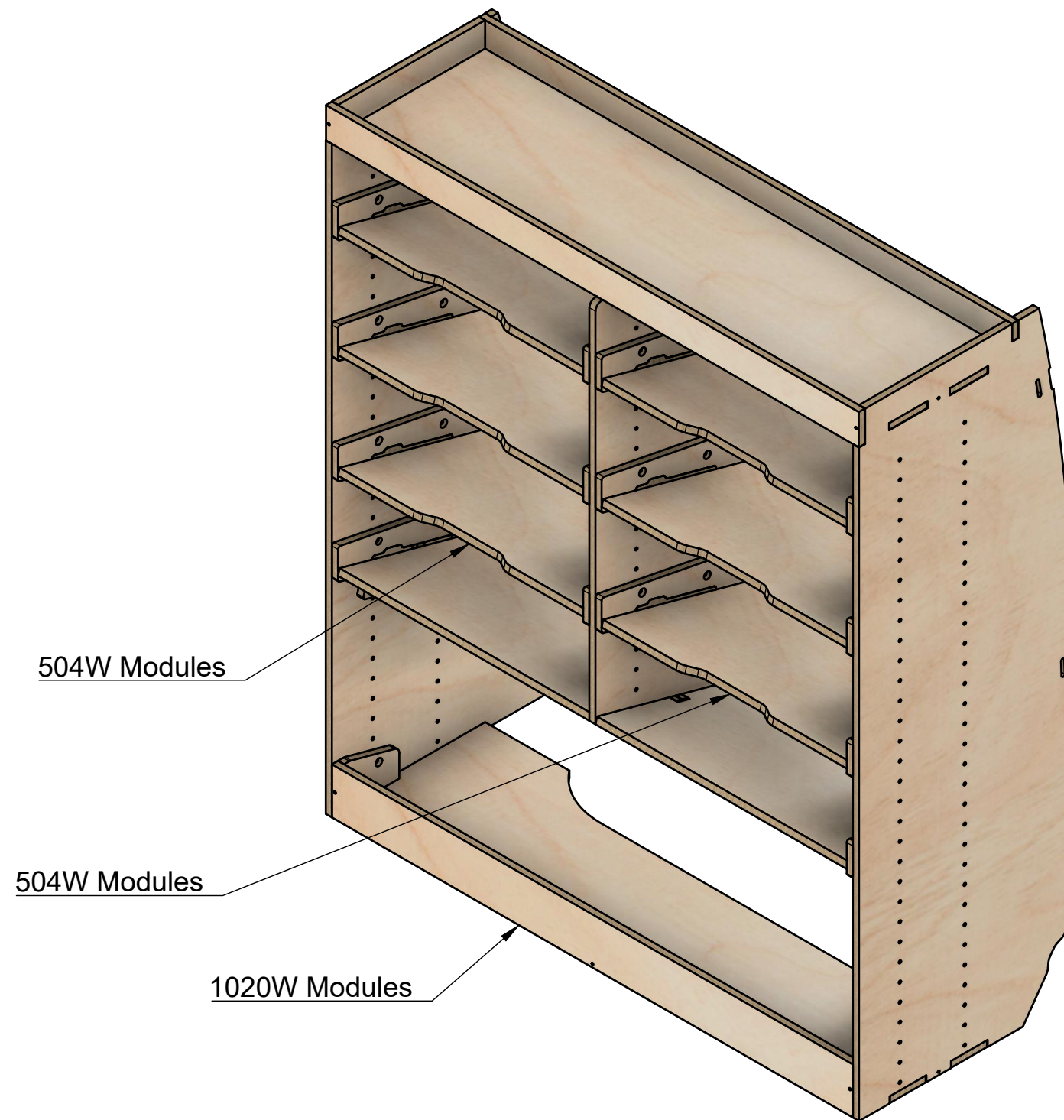


# Toolbox Stack No.2

SKU: VWT56\_L1\_PS\_TBS4



## Page 1 - Overview

All units in mm

Plywood thickness = 12mm

### Notes

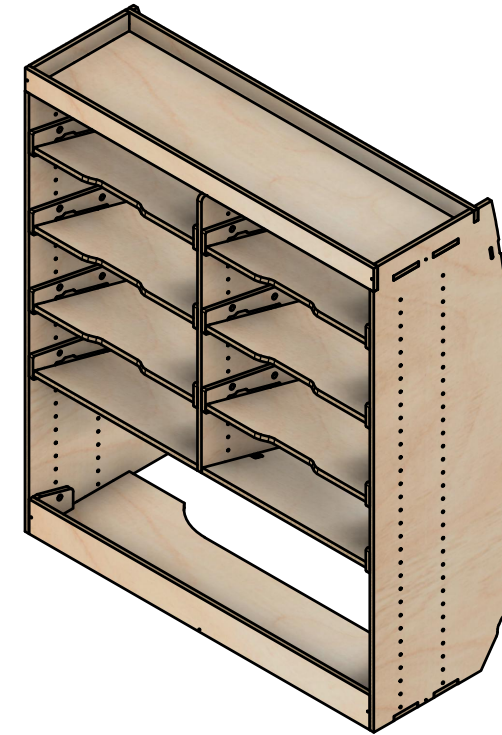
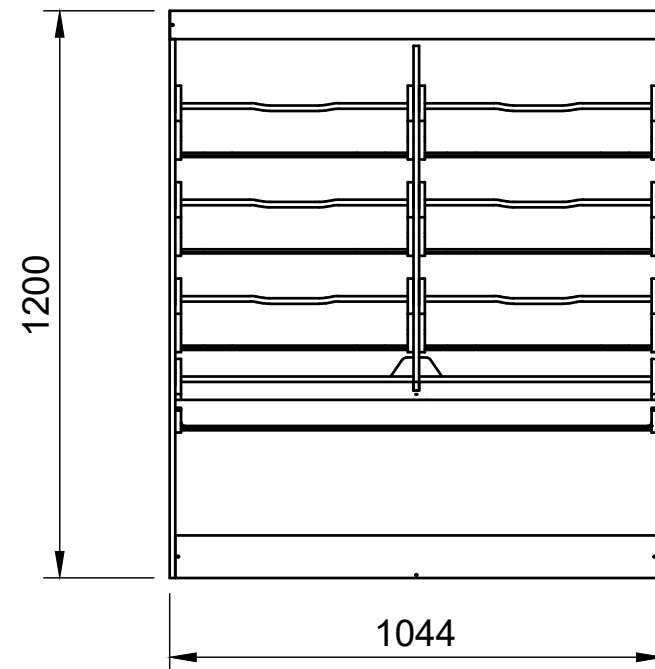
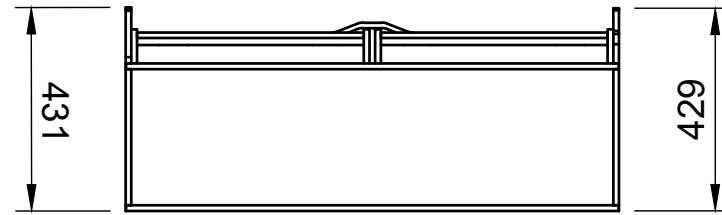
- Module positions are adjustable.

**YOKE VANS**  
info@yoke-van-kits.co.uk  
0208 132 9221

© 2023 Yoke CNC LTD

# Toolbox Stack No.2

SKU: VWT56\_L1\_PS\_TBS4



## Page 2 - External Dimensions

All units in mm

Plywood thickness = 12mm

### Notes

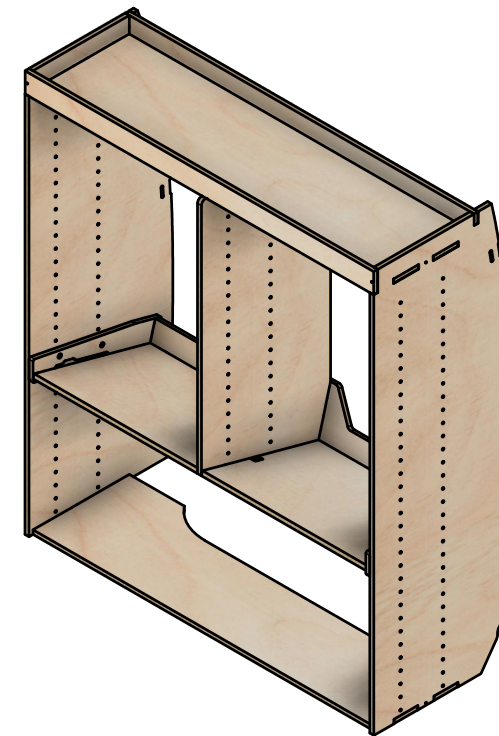
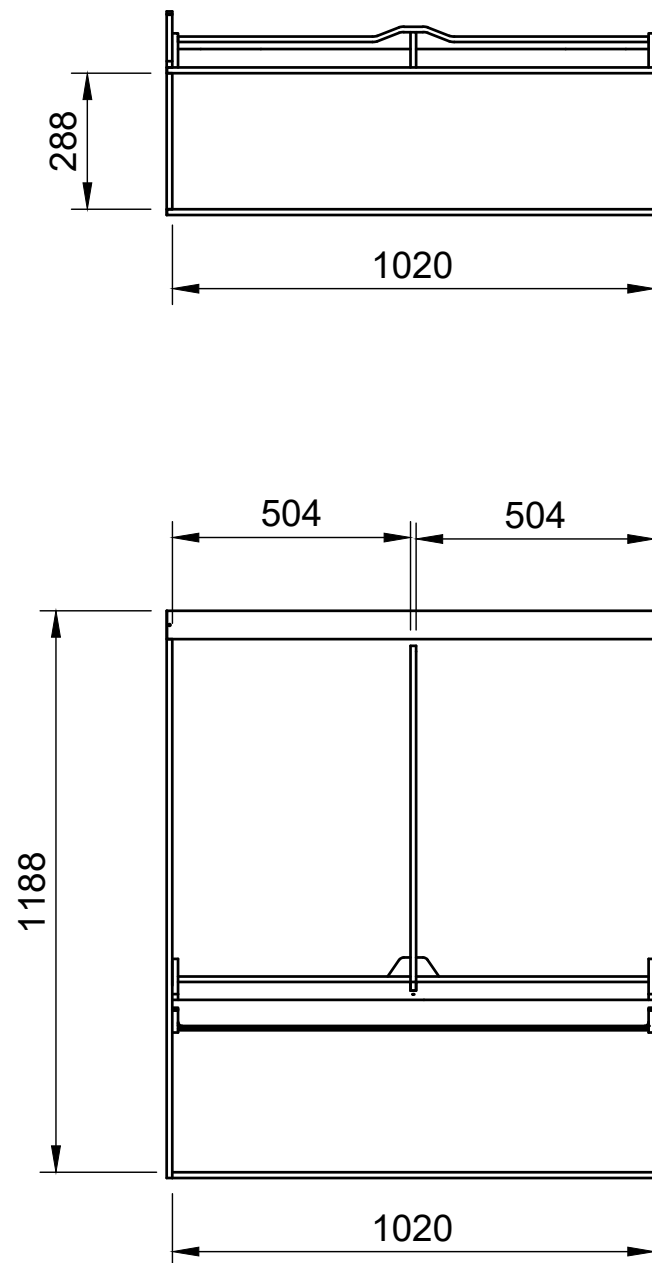
- All dimensions on this page are external.

**YOKE VANS**  
info@yoke-van-kits.co.uk  
0208 132 9221

© 2023 Yoke CNC LTD

# Toolbox Stack No.2

SKU: VWT56\_L1\_PS\_TBS4



## Page 3 - Internal Dimensions

All units in mm

Plywood thickness = 12mm

### Notes

- All dimensions on this page are internal.

**YOKE VANS**  
info@yoke-van-kits.co.uk  
0208 132 9221

© 2023 Yoke CNC LTD