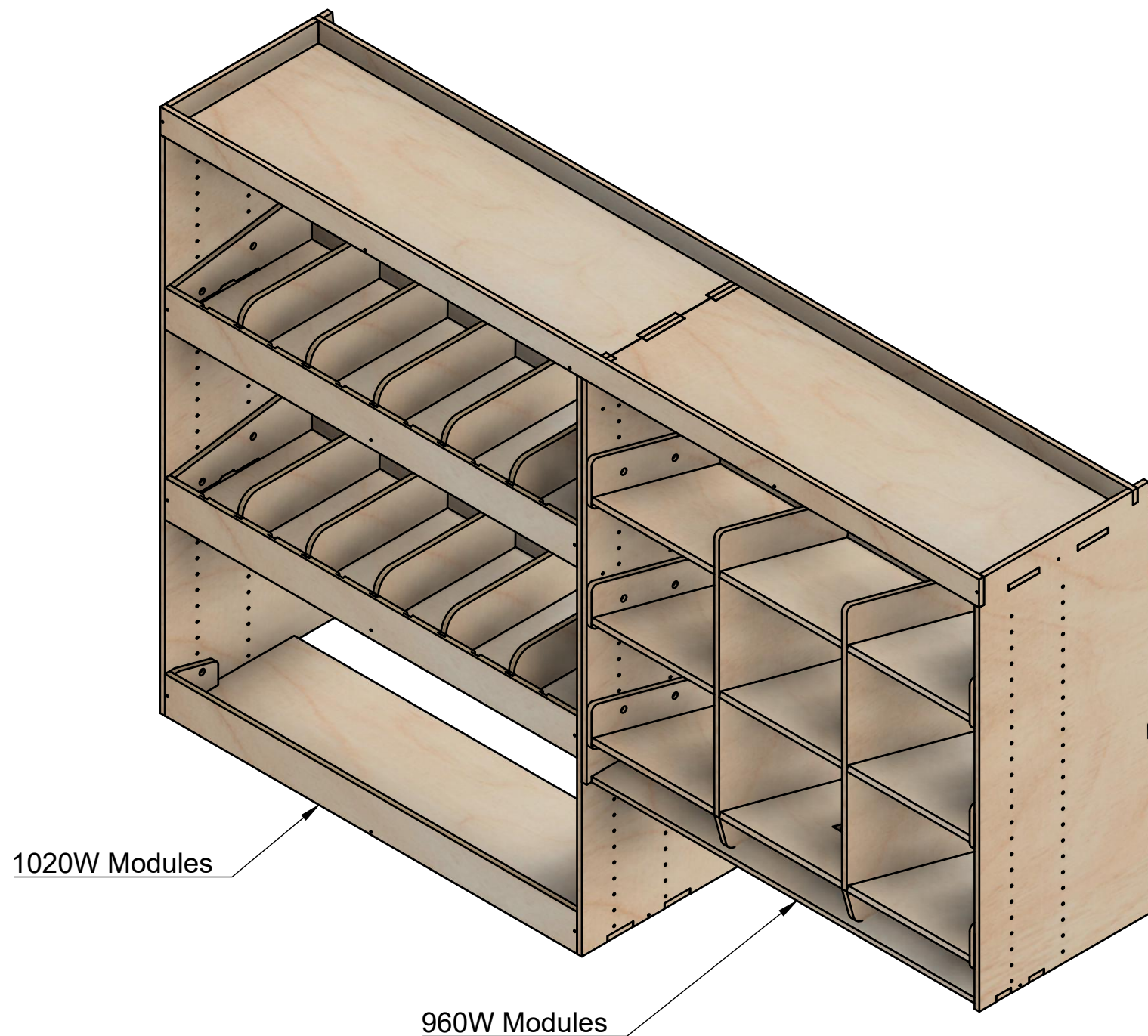


Renault Trafic | 2014on | L1H1 (SWB) | Panel Van
Vauxhall Vivaro | 2014-19 | L1H1 (SWB) | Panel Van
Nissan NV300 | 2016on | L1H1 (SWB) | Panel Van
Fiat Talento | 2016-20 | L1H1 (SWB) | Panel Van

Combo No.8 | HLFF 374mm

SKU: TVN_14_L1_C8_HF374



Page 1 - Overview

All units in mm

Plywood thickness = 12mm

Notes

- Euro container module is set-spacing.
- Organiser modules have up/down adjustability.
- Organiser module dividers are removable/adjustable.

YOKE VANS

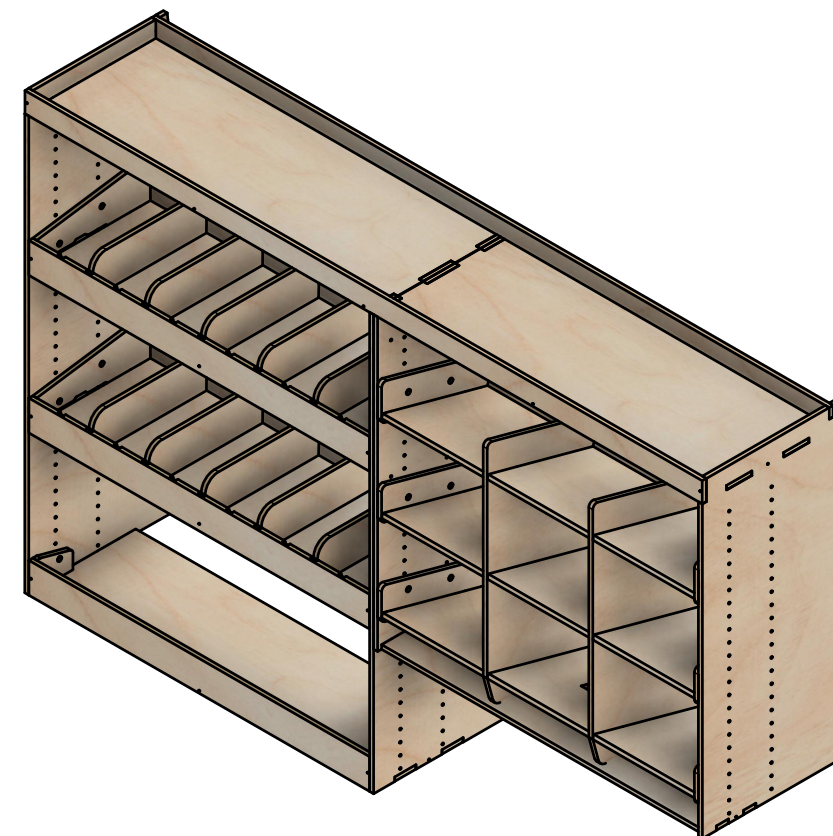
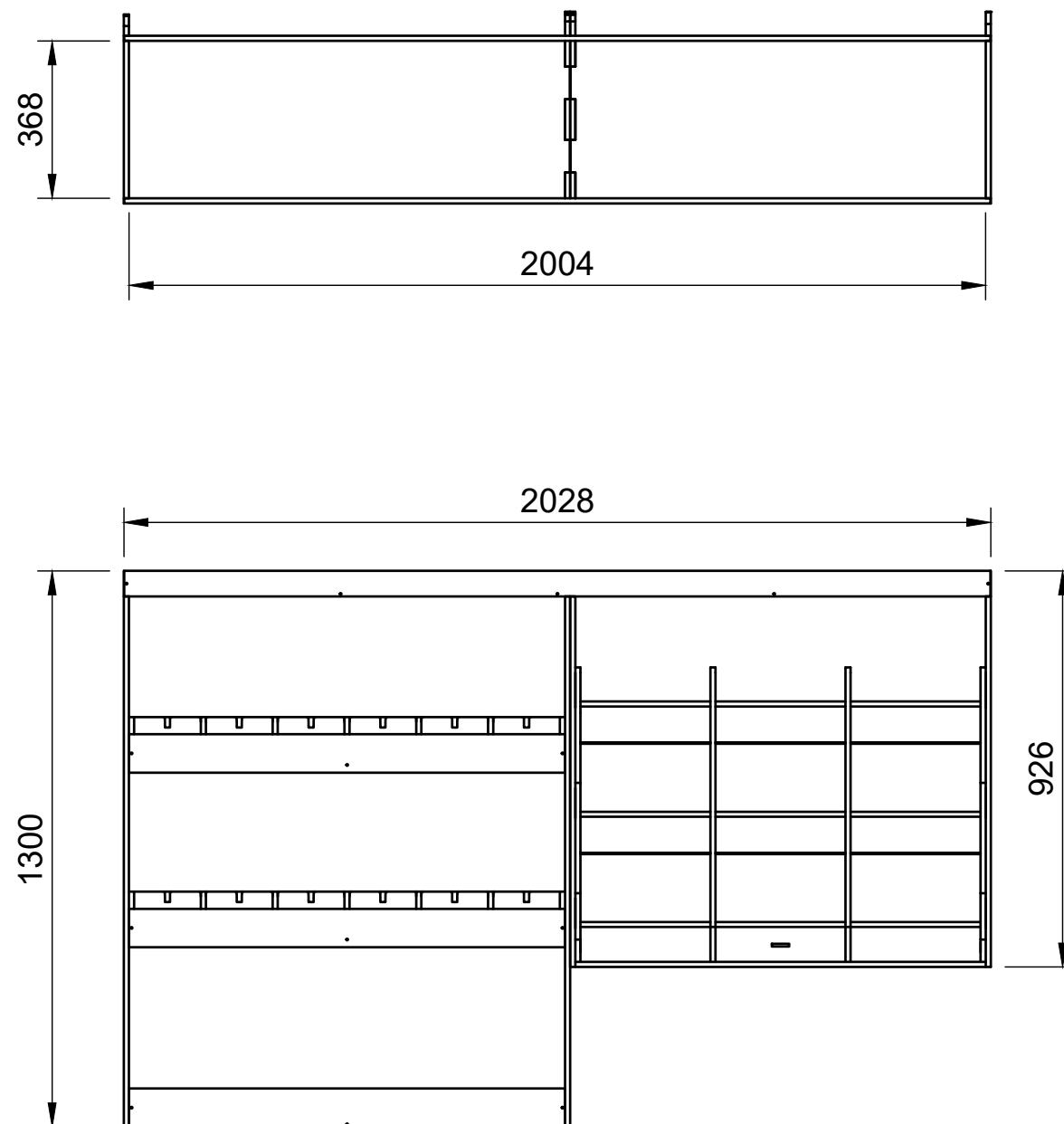
info@yoke-van-kits.co.uk

0208 132 9221

© 2023 Yoke CNC LTD

PRODUCT NAME

SKU: SKU CODE



Page 2 - External Dimensions

All units in mm

Plywood thickness = 12mm

Notes

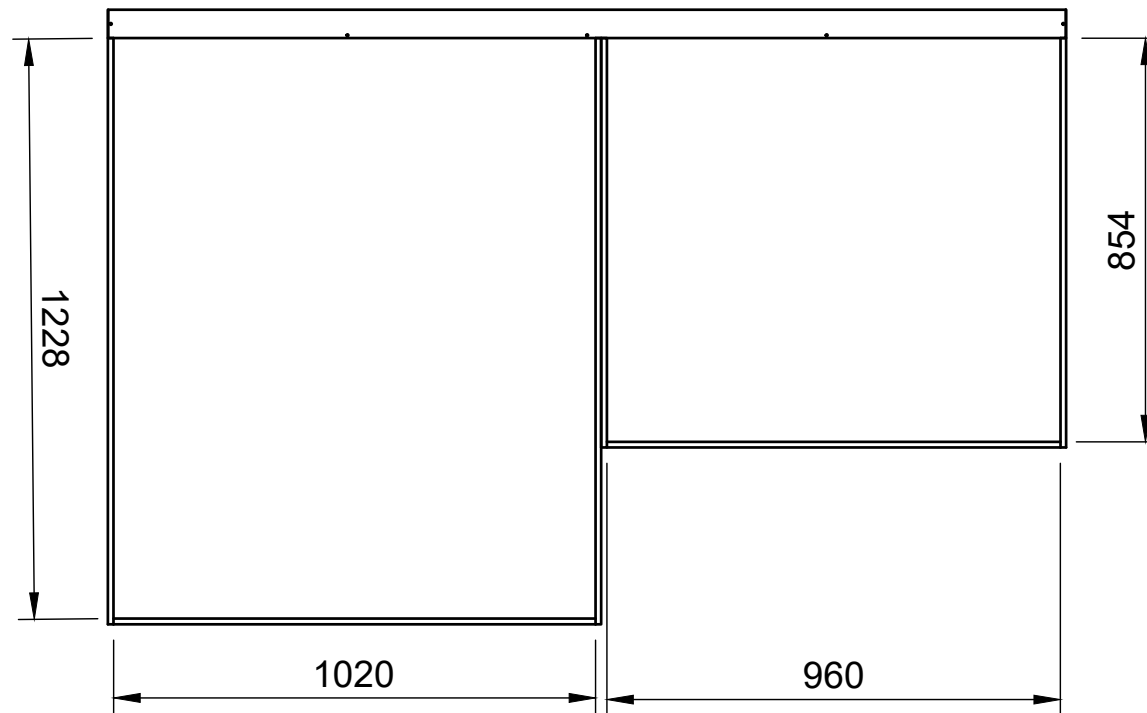
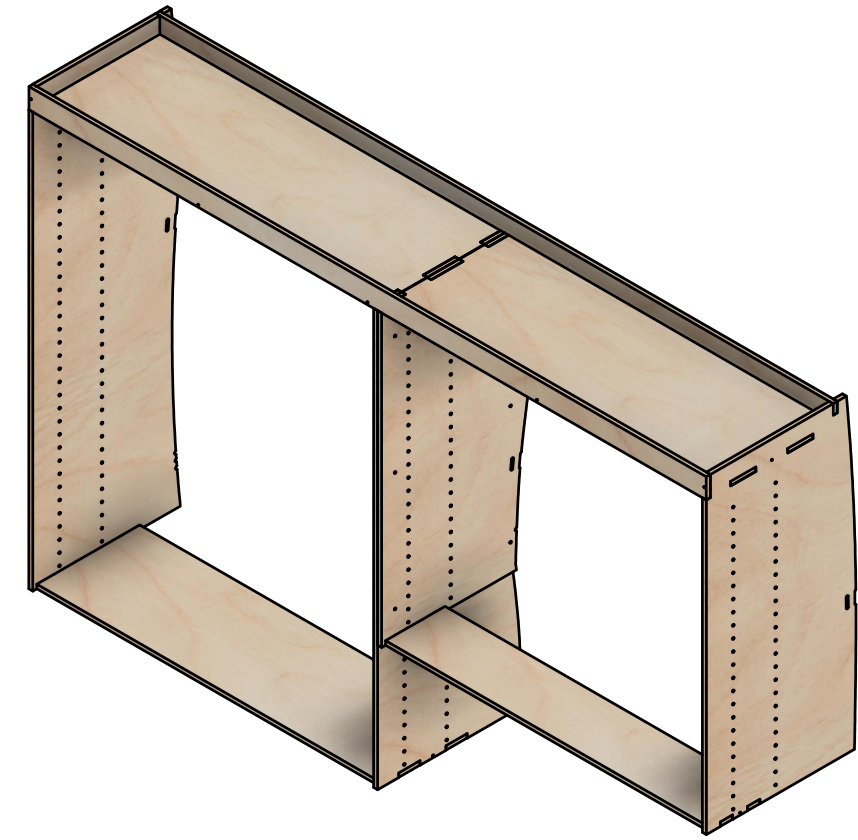
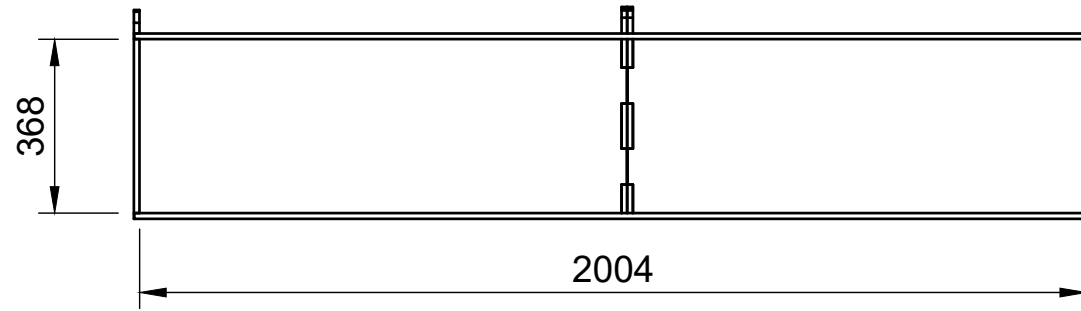
- All dimensions on this page are external.

YOKE VANS
info@yoke-van-kits.co.uk
0208 132 9221

Renault Trafic | 2014on | L1H1 (SWB) | Panel Van
Vauxhall Vivaro | 2014-19 | L1H1 (SWB) | Panel Van
Nissan NV300 | 2016on | L1H1 (SWB) | Panel Van
Fiat Talento | 2016-20 | L1H1 (SWB) | Panel Van

Combo No.8 | HLFF 374mm

SKU: TVN_14_L1_C8_HF374



Page 3 - Internal Dimensions

All units in mm

Plywood thickness = 12mm

Notes

- All dimensions on this page are internal.

YOKE VANS

info@yoke-van-kits.co.uk

0208 132 9221

© 2023 Yoke CNC LTD