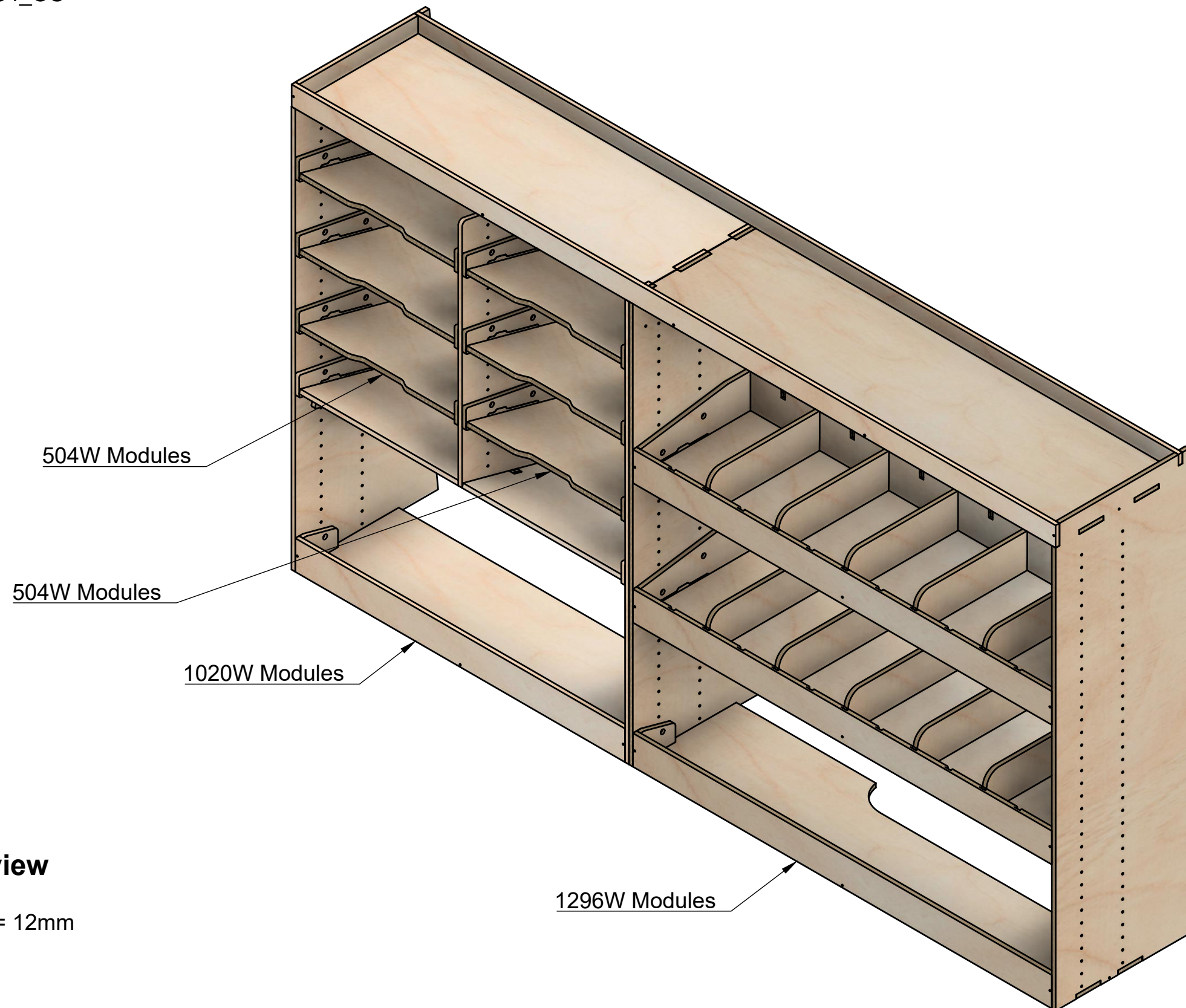


Renault Trafic | 2014on | L2H1 (LWB) | Panel Van
Vauxhall Vivaro | 2014-19 | L2H1 (LWB) | Panel Van
Nissan NV300 | 2016on | L2H1 (LWB) | Panel Van
Fiat Talento | 2016-20 | L2H1 (LWB) | Panel Van

Combo No.4 - Open Underside

SKU: TVN_14_L2_C4_OU



Page 1 - Overview

All units in mm

Plywood thickness = 12mm

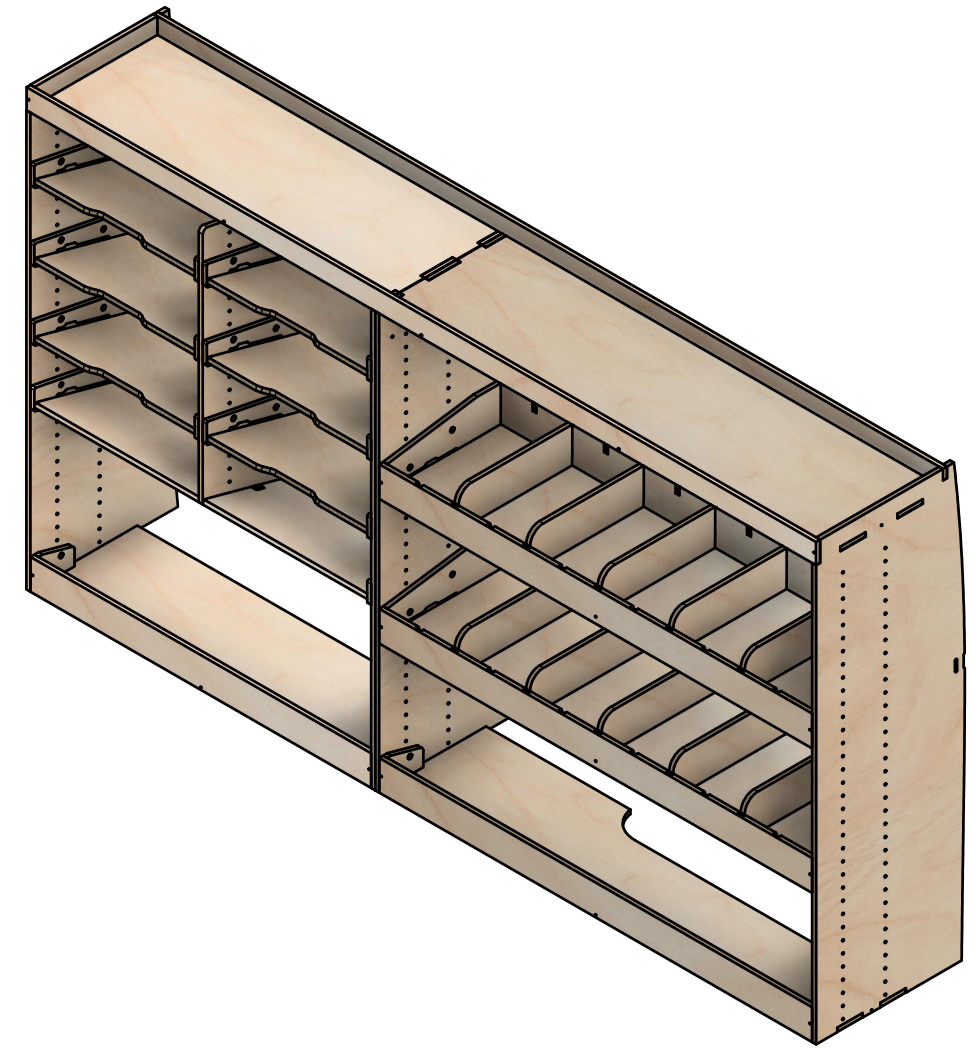
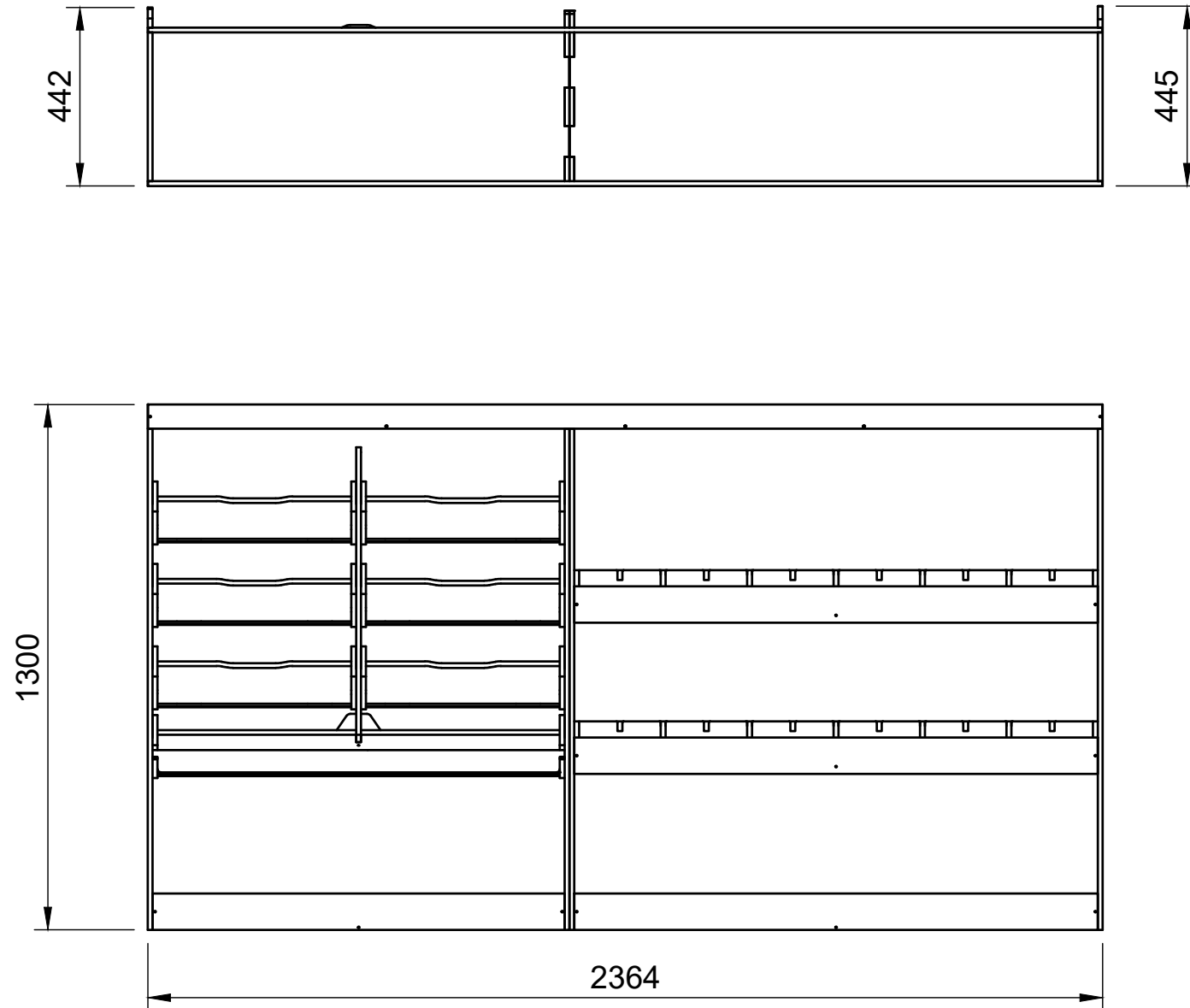
YOKE VANS
info@yoke-van-kits.co.uk
0208 132 9221

© 2023 Yoke CNC LTD

Renault Trafic | 2014on | L2H1 (LWB) | Panel Van
Vauxhall Vivaro | 2014-19 | L2H1 (LWB) | Panel Van
Nissan NV300 | 2016on | L2H1 (LWB) | Panel Van
Fiat Talento | 2016-20 | L2H1 (LWB) | Panel Van

Combo No.4 - Open Underside

SKU: TVN_14_L2_C4_OU



Page 2 - External Dimensions

All units in mm

Plywood thickness = 12mm

Notes

- All units on this page are external.

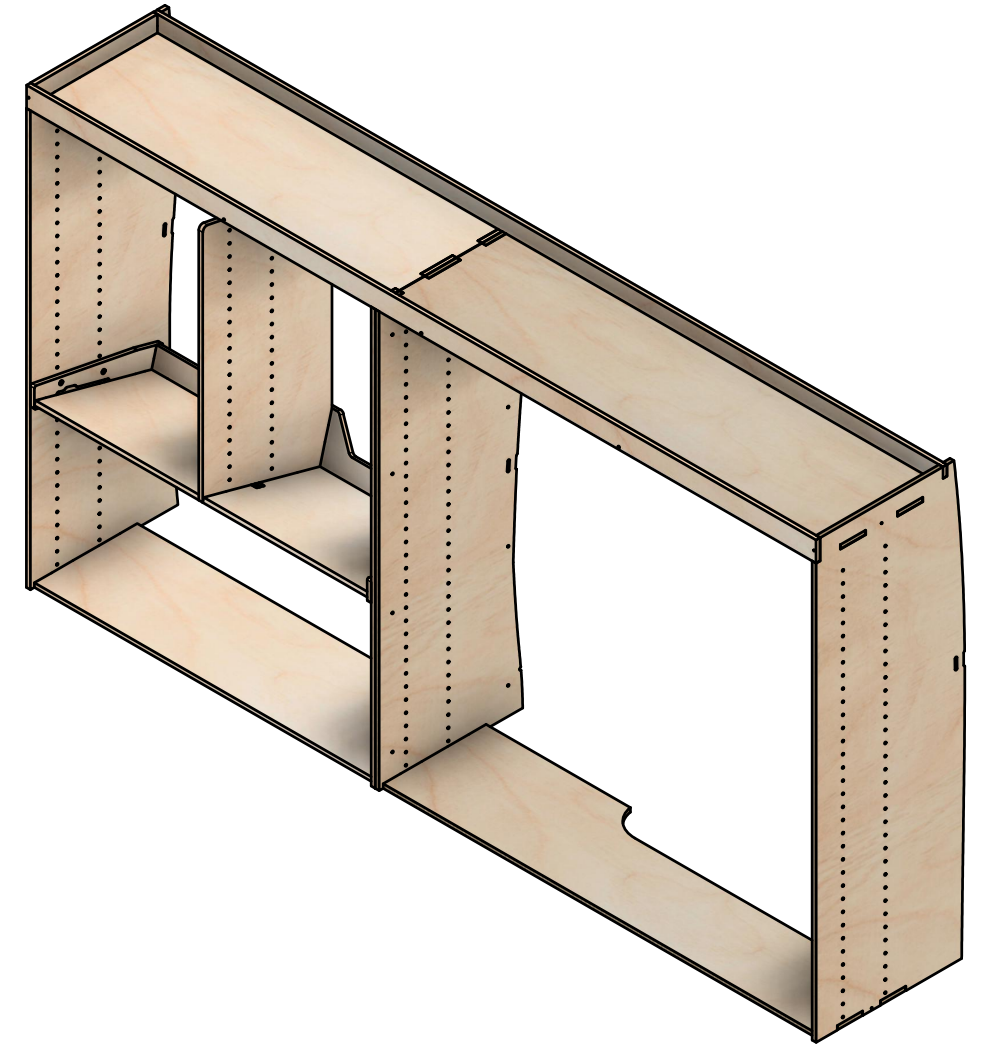
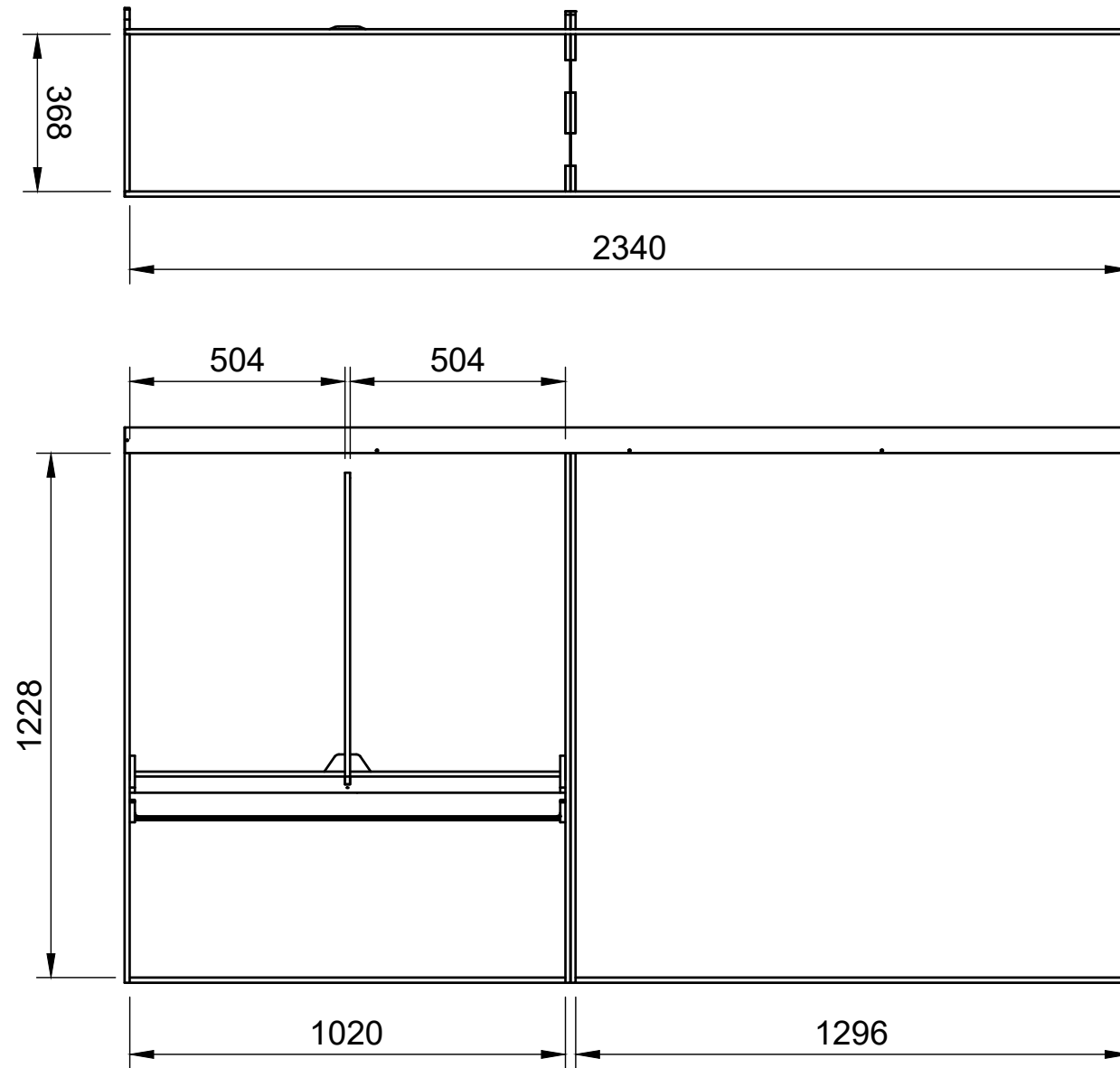
YOKE VANS
info@yoke-van-kits.co.uk
0208 132 9221

© 2023 Yoke CNC LTD

Renault Trafic | 2014on | L2H1 (LWB) | Panel Van
Vauxhall Vivaro | 2014-19 | L2H1 (LWB) | Panel Van
Nissan NV300 | 2016on | L2H1 (LWB) | Panel Van
Fiat Talento | 2016-20 | L2H1 (LWB) | Panel Van

Combo No.4 - Open Underside

SKU: TVN_14_L2_C4_OU



Page 3 - Internal Dimensions

All units in mm

Plywood thickness = 12mm

Notes

- All units on this page are internal.

YOKE VANS
info@yoke-van-kits.co.uk
0208 132 9221

© 2023 Yoke CNC LTD