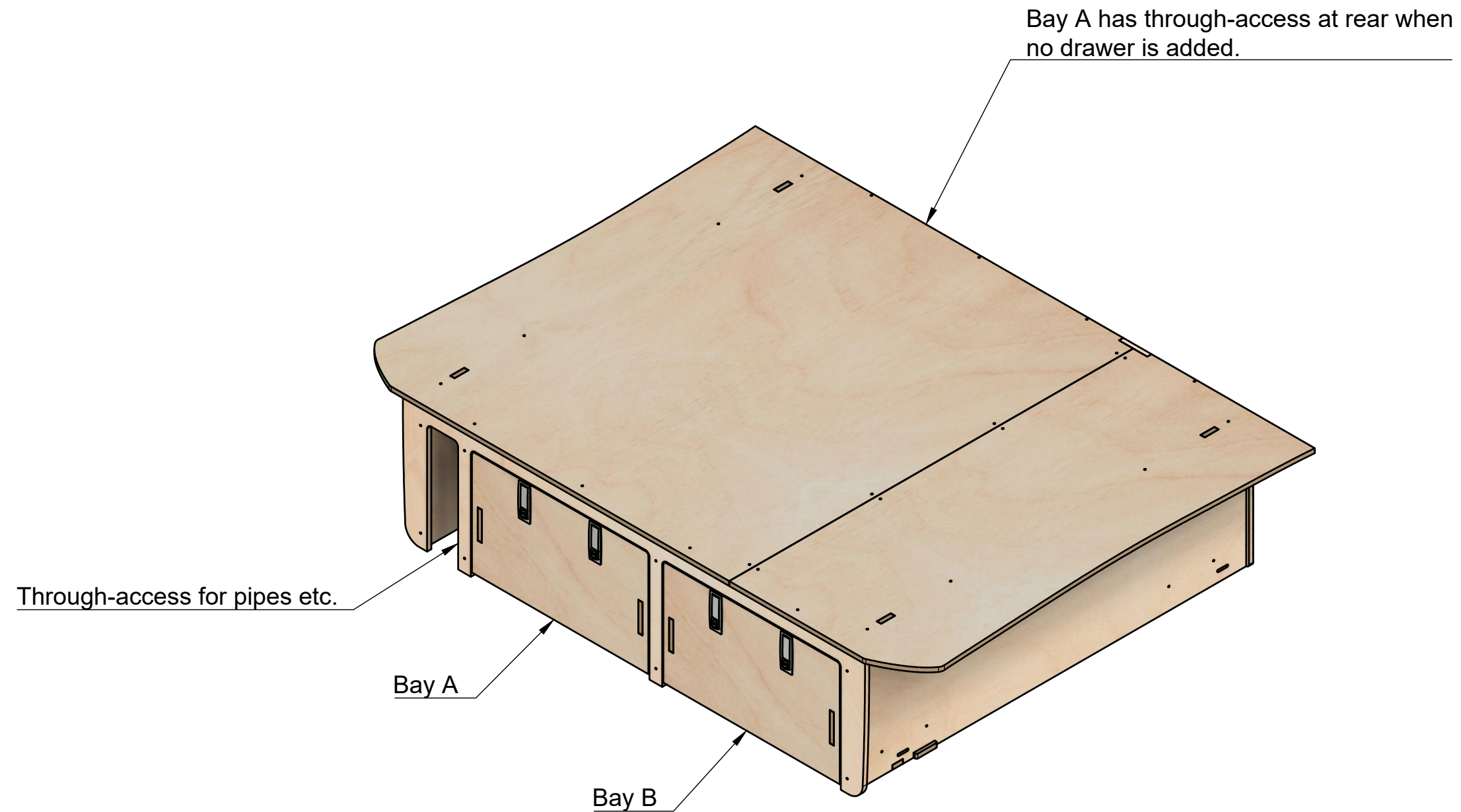


# Raised Floor No.2B

SKU: VWT56\_L1H1\_FF2B



## Page 1 - Floor Only

All units in mm

Plywood thickness = 12mm

### Notes

- 'Bay A' is open at the rear of floor when no drawer or security vaults are added.
- 'Bay B' is always closed at the rear.
- Can accept TKD1s
- Not designed for DCIV or Kombi vehicle models.

**YOKE VANS**

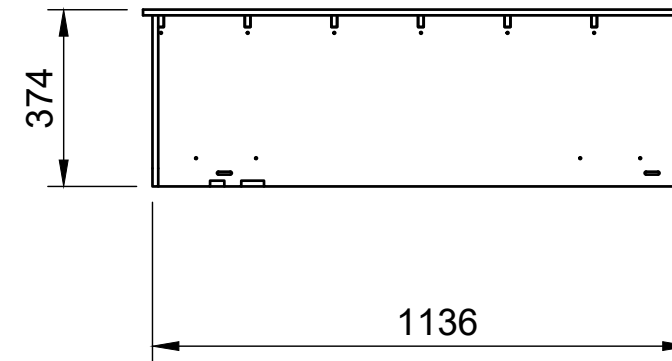
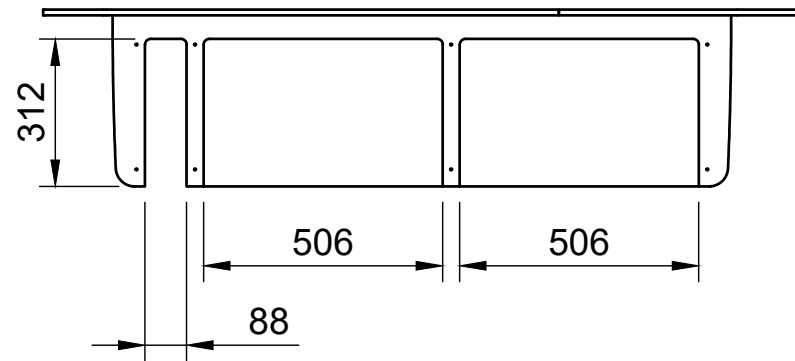
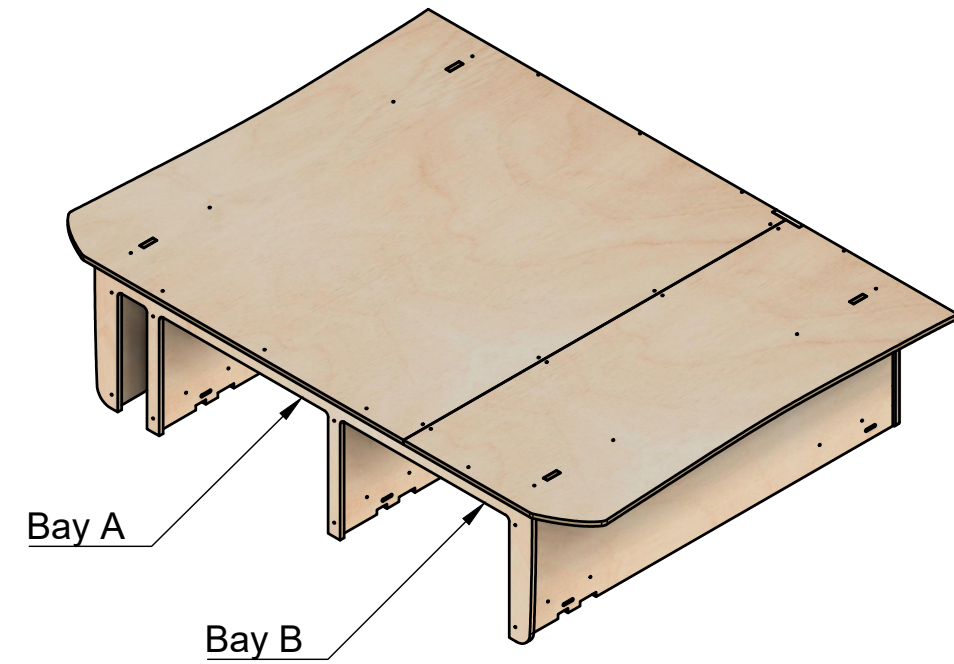
info@yoke-van-kits.co.uk

0208 132 9221

© 2023 Yoke CNC LTD

# Raised Floor No.2B

SKU: VWT56\_L1H1\_FF2B



## Page 2 - Floor Dimensions

All units in mm

Plywood thickness = 12mm

### Notes

- 'Bay A' is open at the rear of floor when no drawer is added.
- 'Bay B' is always closed at the rear.
- Not designed for DCIV or Kombi vehicle models.

**YOKE VANS**

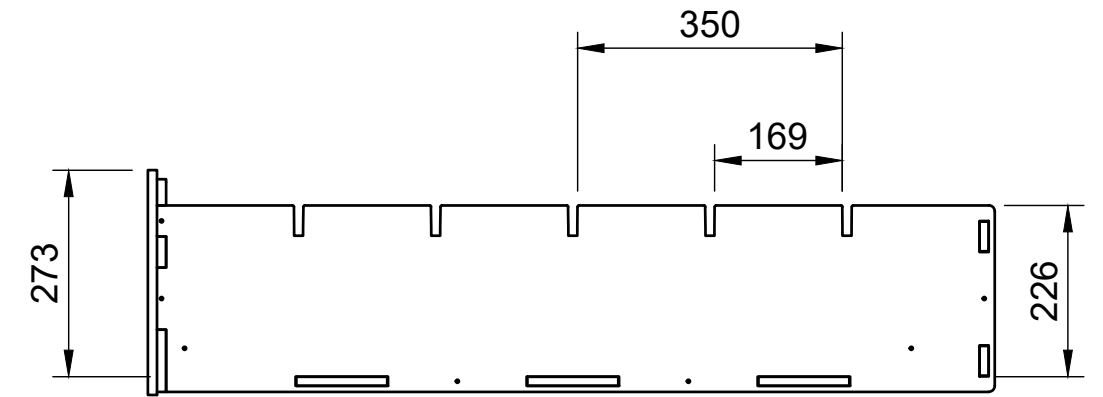
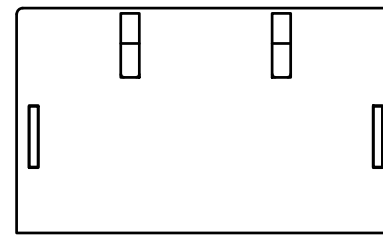
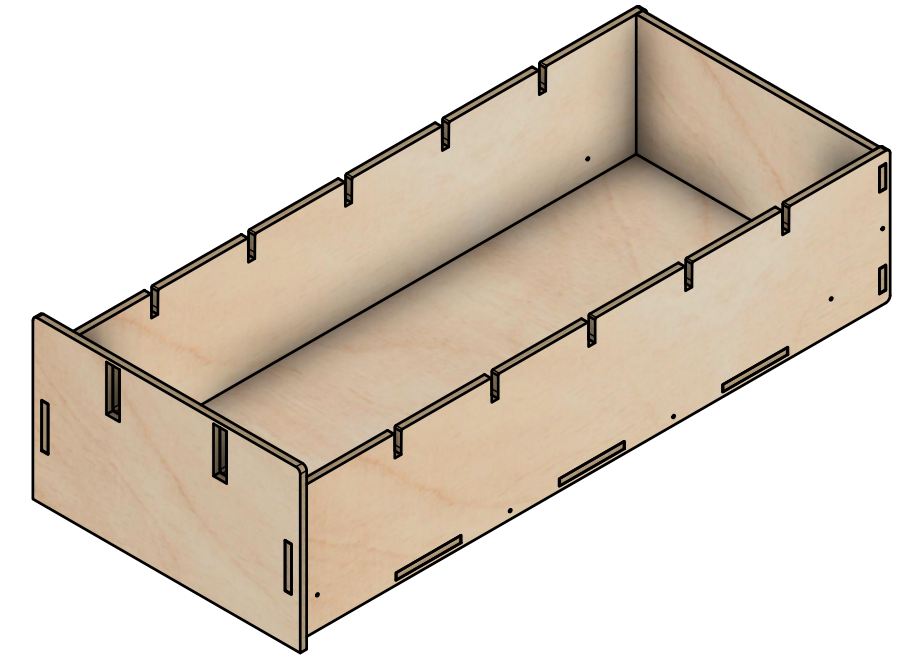
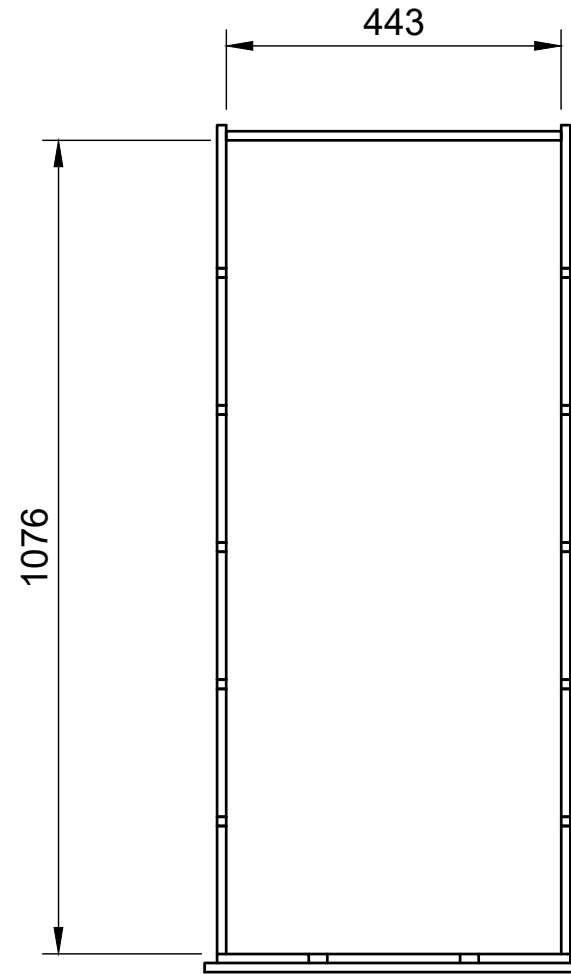
info@yoke-van-kits.co.uk

0208 132 9221

© 2023 Yoke CNC LTD

# Raised Floor No.2B

SKU: VWT56\_L1H1\_FF2B



## Page 3 - Bay A Drawer Dimensions

All units in mm

Plywood thickness = 12mm

### Notes

- Both bays utilize the same size drawers.
- Drawers come with 2 removable dividers as standard.
- Drawers come with a lockable compression latch as standard.
- Drawers are mounted on full extension 1100mm/80kg rated heavy duty runners as standard.

**YOKE VANS**

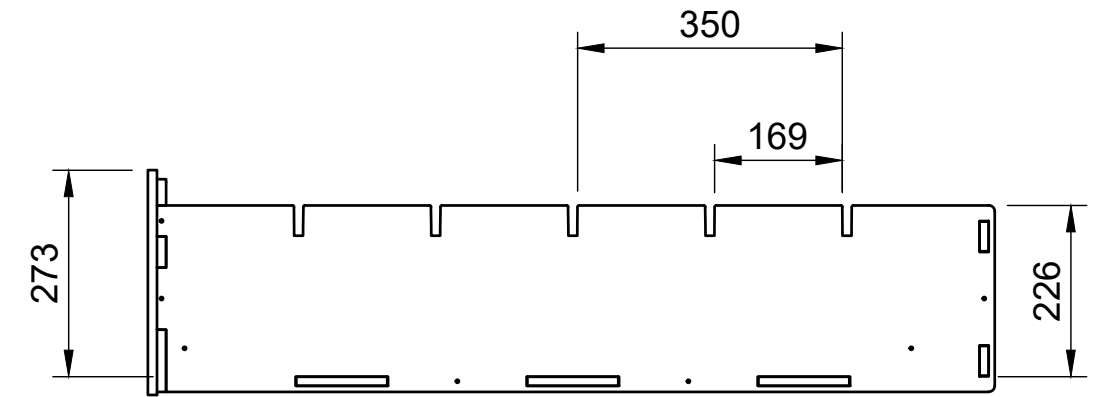
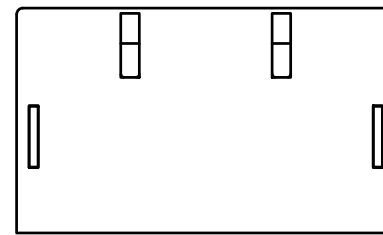
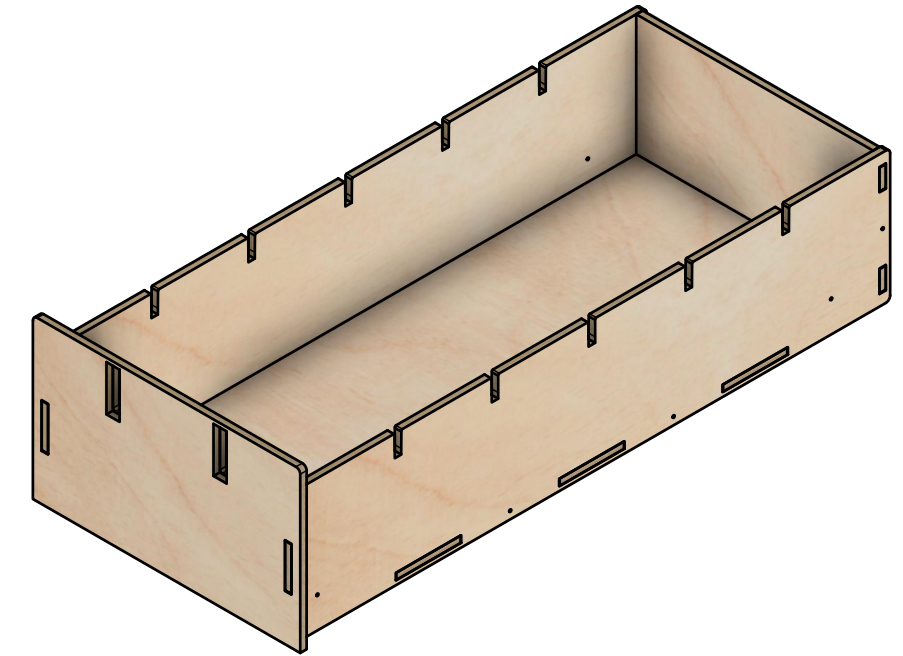
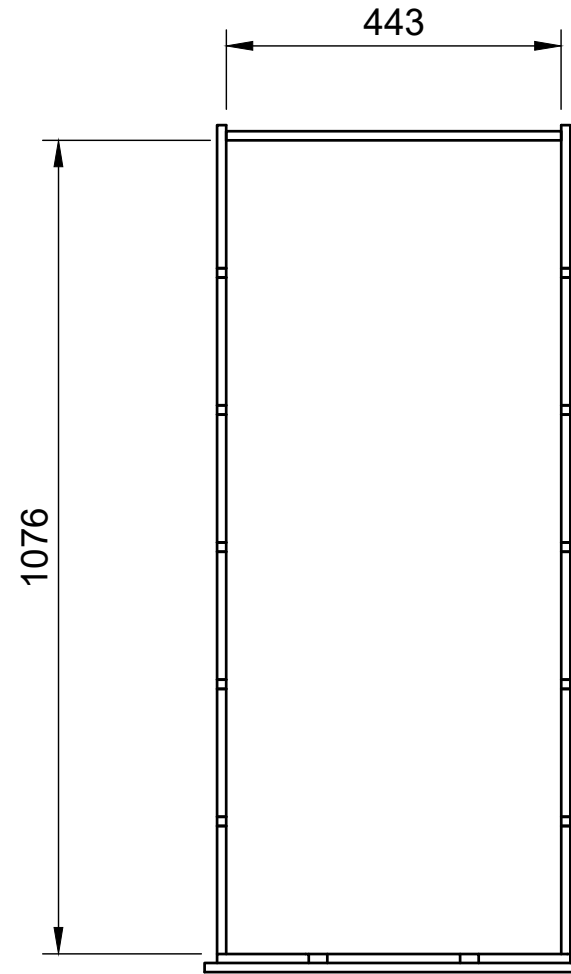
info@yoke-van-kits.co.uk

0208 132 9221

© 2023 Yoke CNC LTD

# Raised Floor No.2B

SKU: VWT56\_L1H1\_FF2B



## Page 4 - Bay B Drawer Dimensions

All units in mm

Plywood thickness = 12mm

### Notes

- Both bays utilize the same size drawers.
- Drawers come with 2 removable dividers as standard.
- Drawers come with a lockable compression latch as standard.
- Drawers are mounted on full extension 1100mm/80kg rated heavy duty runners as standard.

**YOKE VANS**

info@yoke-van-kits.co.uk

0208 132 9221

© 2023 Yoke CNC LTD