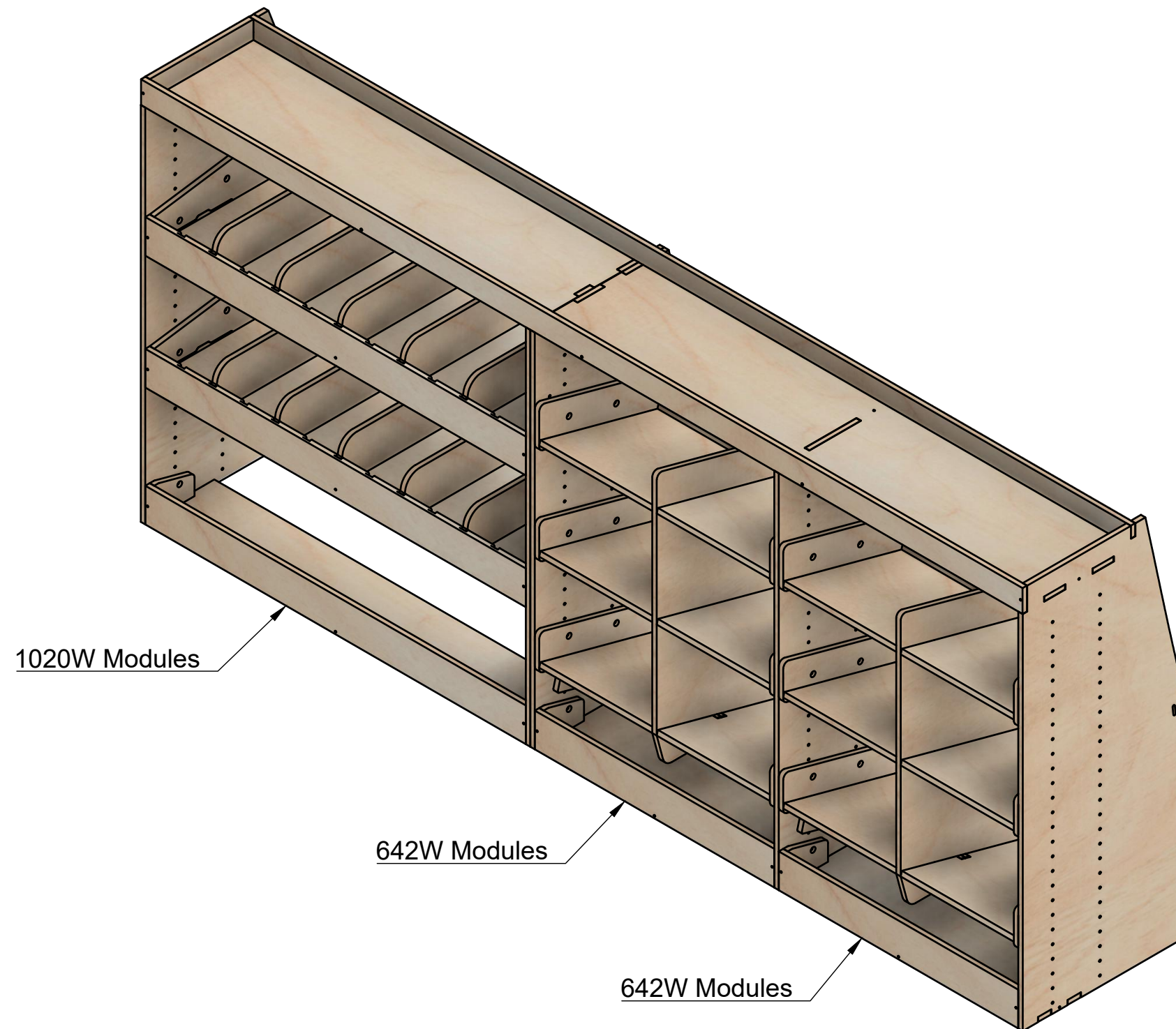


# Combo No.8 | FF 272mm

SKU: FDCU\_13\_L2H1\_C8\_FF272



## Page 1 - Overview

All units in mm

Plywood thickness = 12mm

### Notes

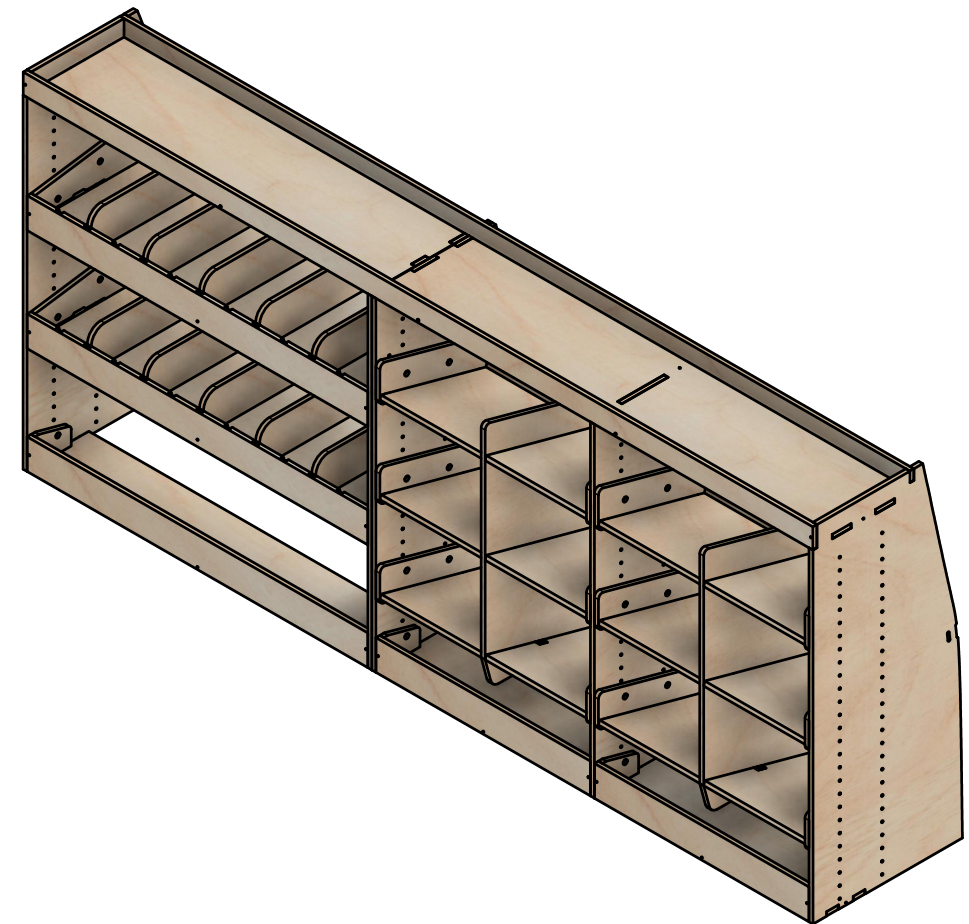
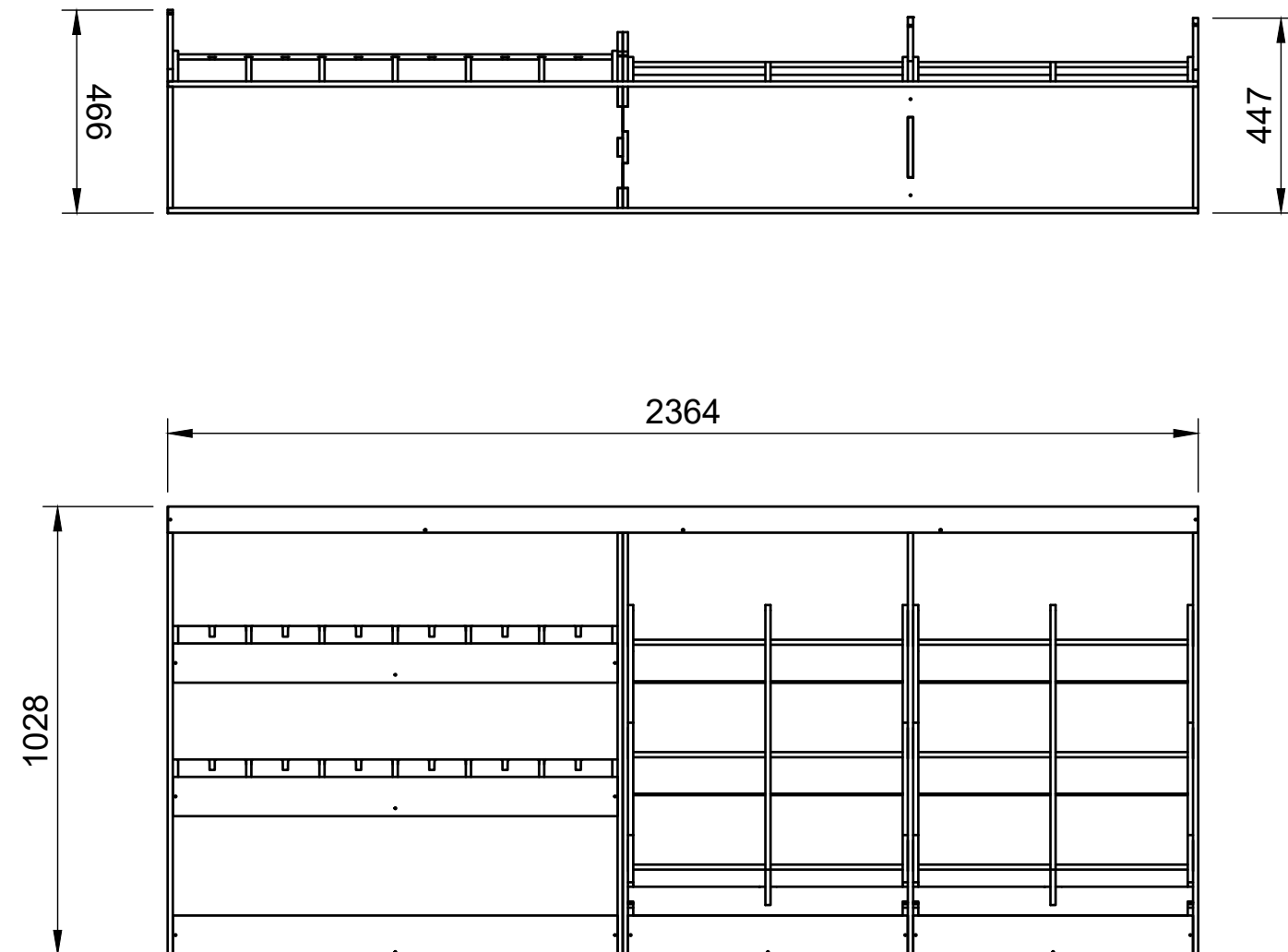
- Designed to fit on top of a 272mm high false floor.

**YOKE VANS**  
info@yoke-van-kits.co.uk  
0208 132 9221

© 2023 Yoke CNC LTD

# Combo No.8 | FF 272mm

SKU: FDCU\_13\_L2H1\_C8\_FF272



## Page 2 - External Dimensions

All units in mm

Plywood thickness = 12mm

### Notes

- All dimensions on this page are external.

**YOKE VANS**

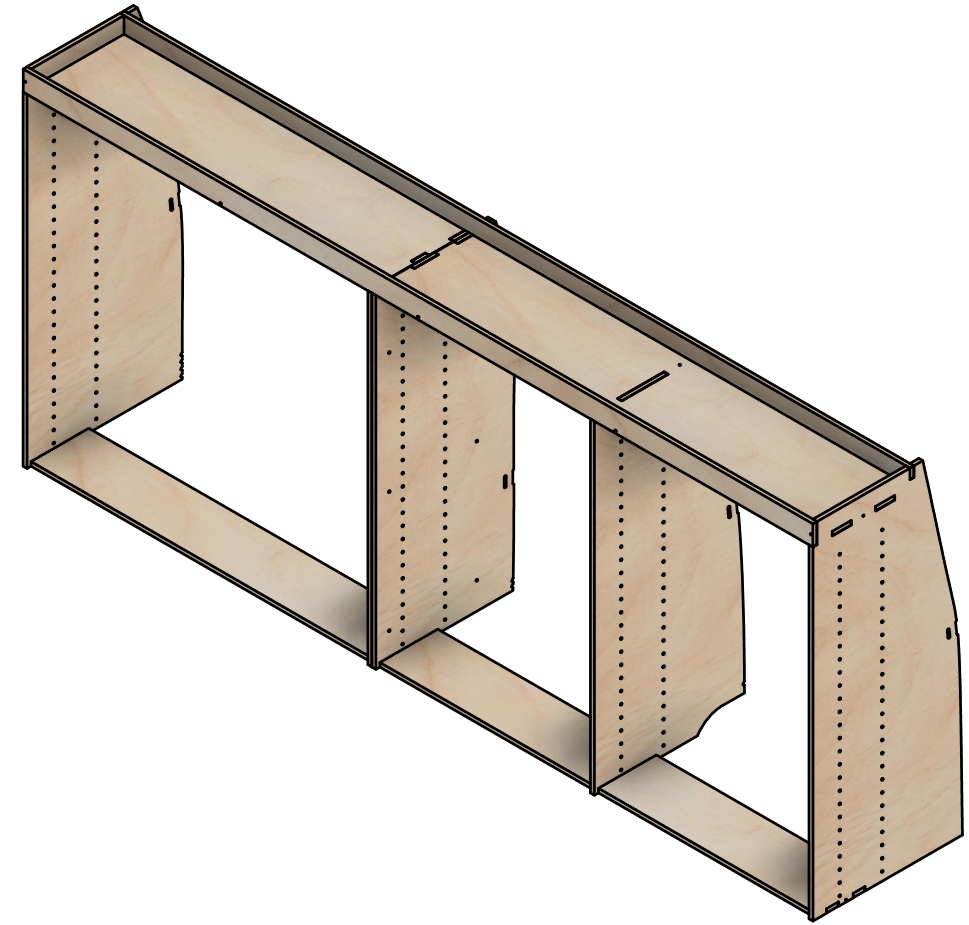
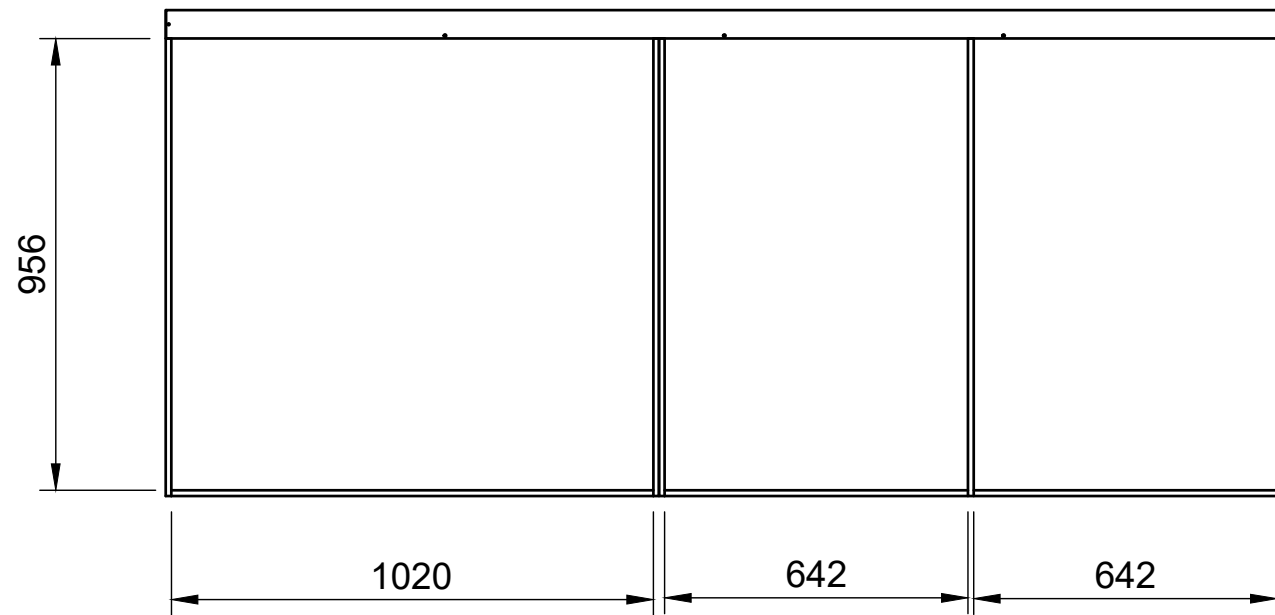
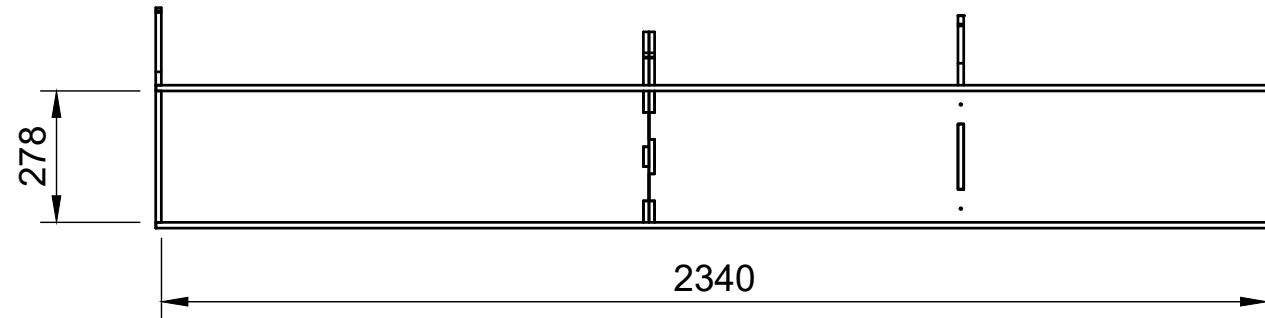
info@yoke-van-kits.co.uk

0208 132 9221

© 2023 Yoke CNC LTD

# Combo No.8 | FF 272mm

SKU: FDCU\_13\_L2H1\_C8\_FF272



## Page 3 - Internal Dimensions

All units in mm

Plywood thickness = 12mm

### Notes

- All dimensions on this page are internal.

**YOKE VANS**

info@yoke-van-kits.co.uk

0208 132 9221

© 2023 Yoke CNC LTD