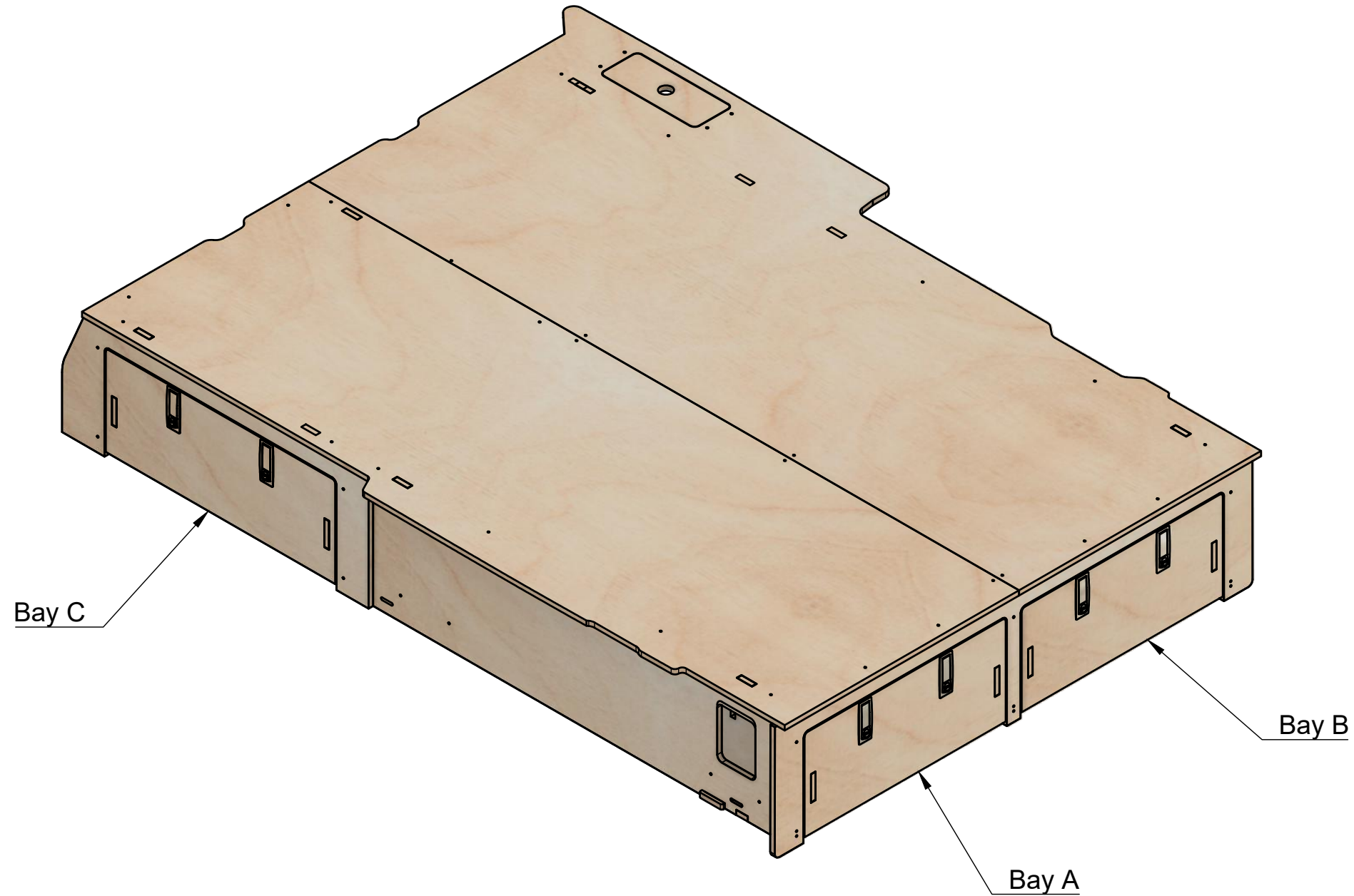


False Floor No.3B

SKU: FCON_14_L2_FF3B



Page 1 - False Floor Overview

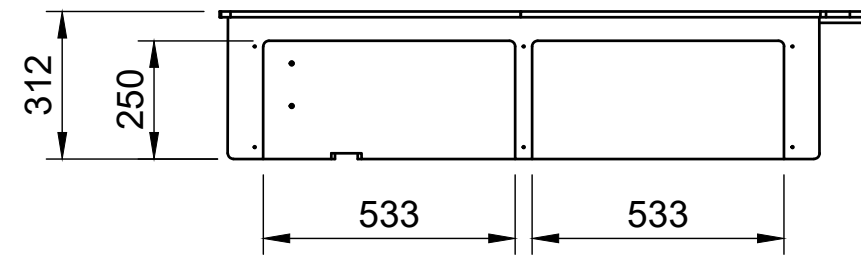
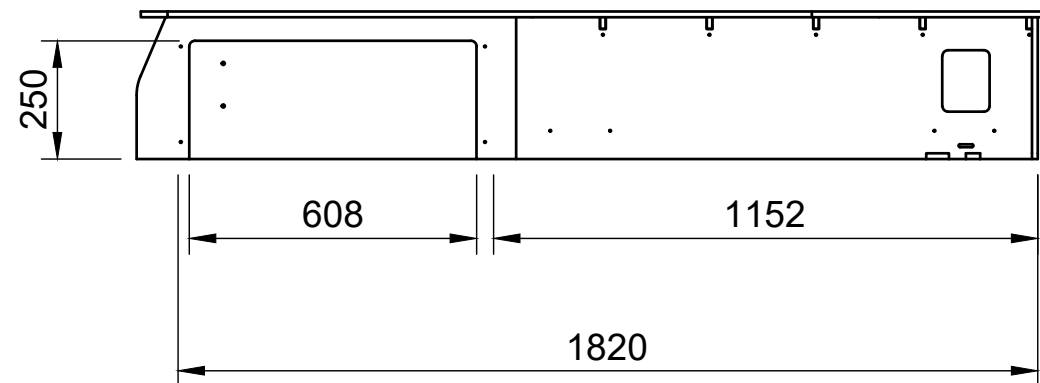
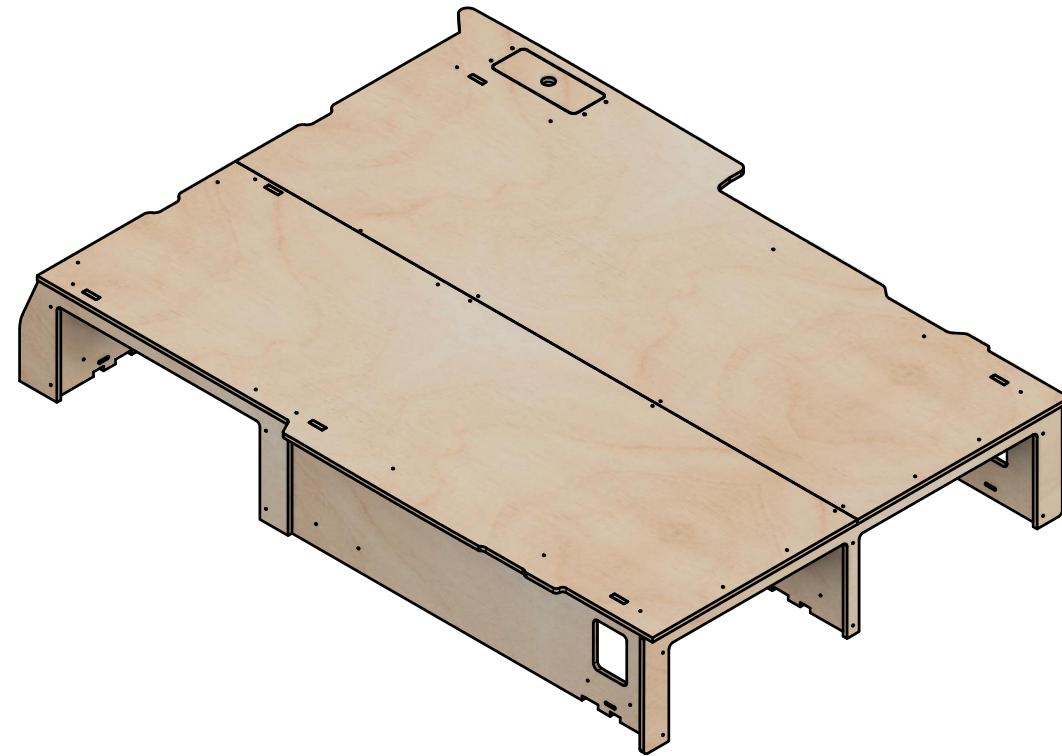
All units in mm
Plywood thickness = 12mm

YOKE VANS
info@yoke-van-kits.co.uk
0208 132 9221

© 2023 Yoke CNC LTD

False Floor No.3B

SKU: FCON_14_L2_FF3B



Page 2 - Floor Dimensions

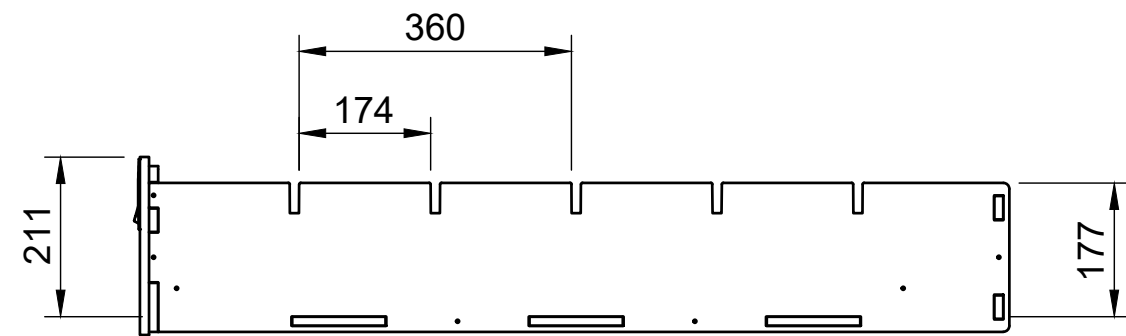
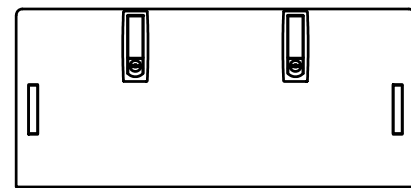
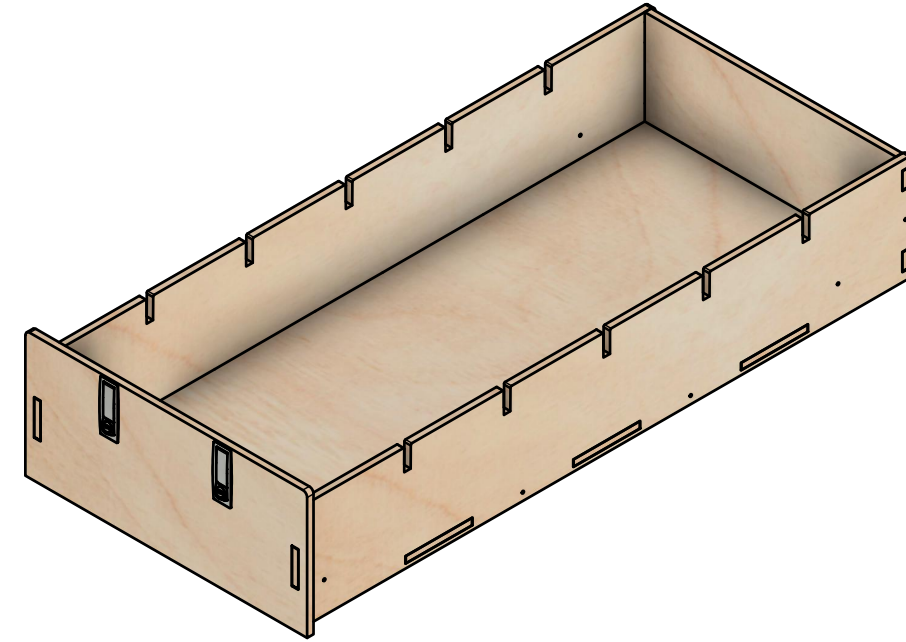
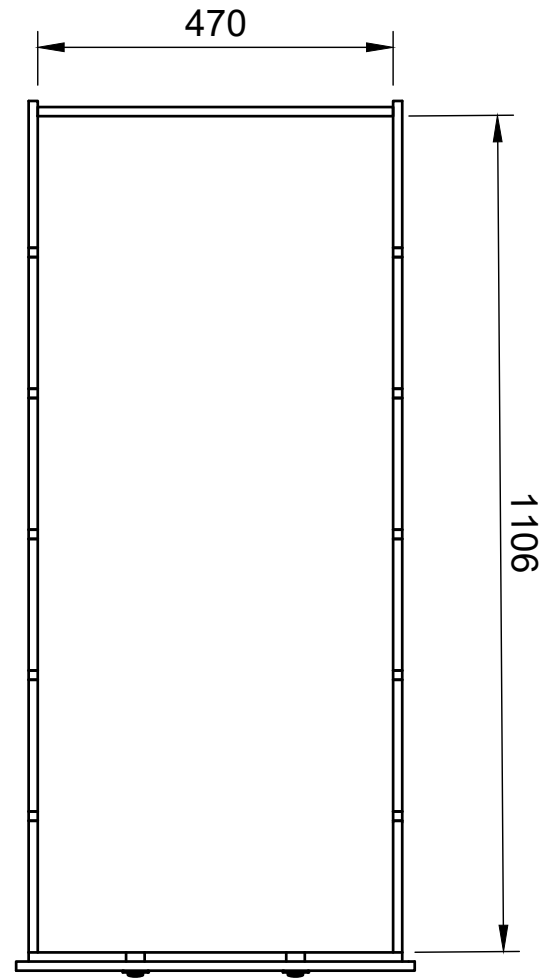
All units in mm
Plywood thickness = 12mm

YOKE VANS
info@yoke-van-kits.co.uk
0208 132 9221

© 2023 Yoke CNC LTD

False Floor No.3B

SKU: FCON_14_L2_FF3B



Page 3 - Bay A Drawer Dimensions

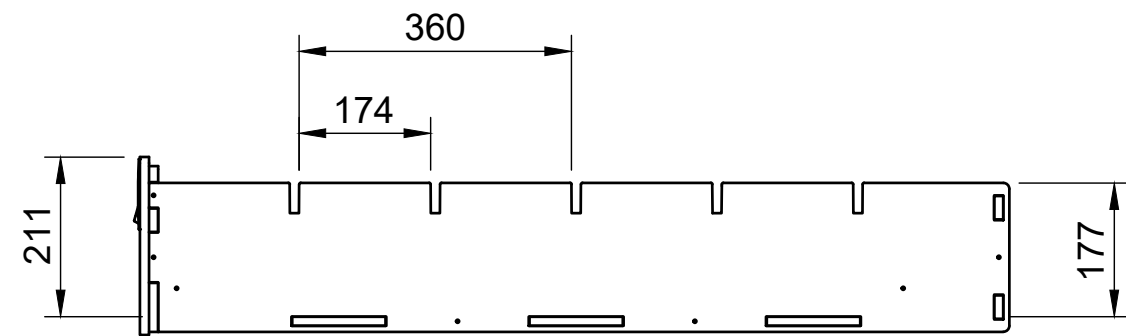
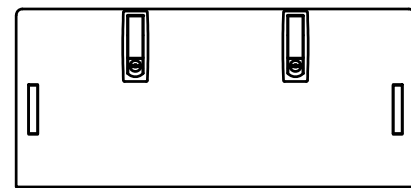
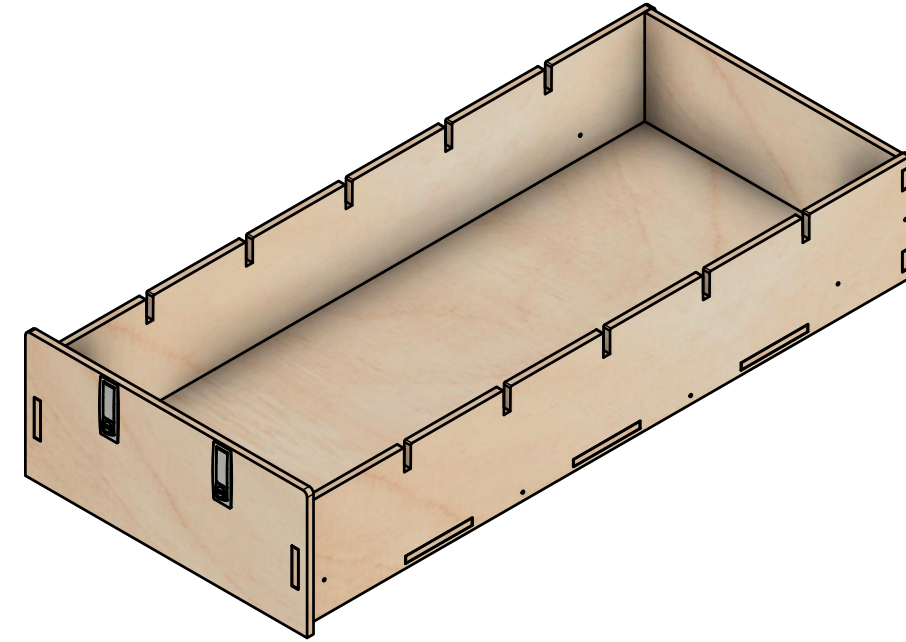
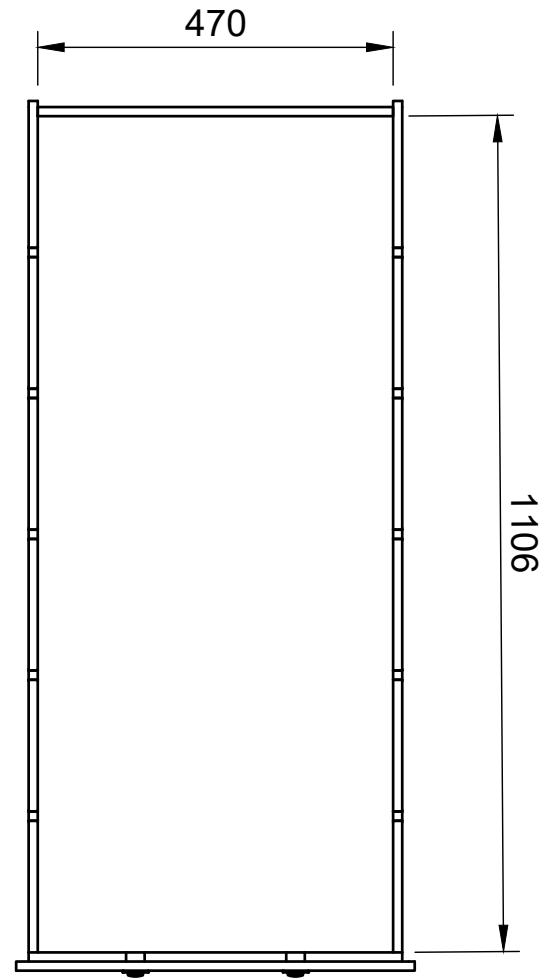
All units in mm
Plywood thickness = 12mm

YOKE VANS
info@yoke-van-kits.co.uk
0208 132 9221

© 2023 Yoke CNC LTD

False Floor No.3B

SKU: FCON_14_L2_FF3B



Page 4 - Bay B Drawer Dimensions

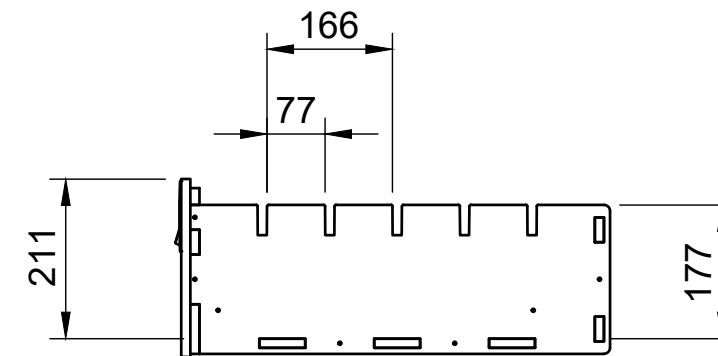
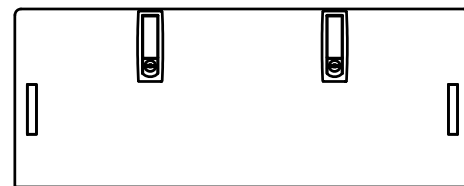
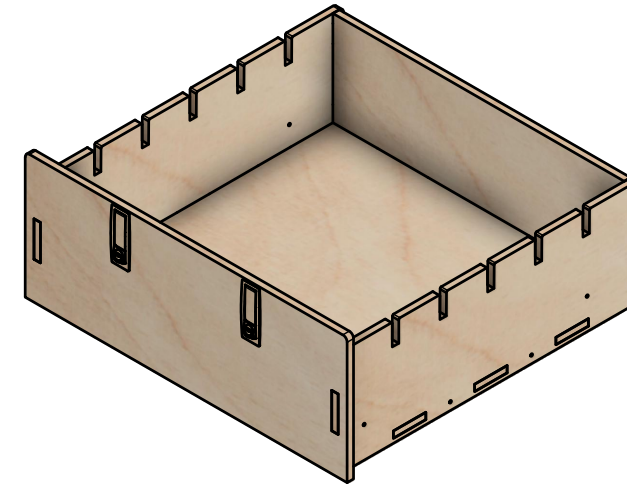
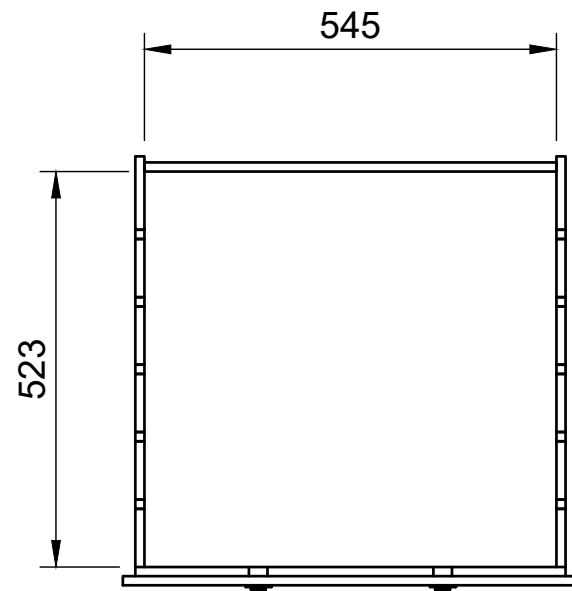
All units in mm
Plywood thickness = 12mm

YOKE VANS
info@yoke-van-kits.co.uk
0208 132 9221

© 2023 Yoke CNC LTD

False Floor No.3B

SKU: FCON_14_L2_FF3B



Page 5 - Bay C Half Length Drawer Dimensions

All units in mm
Plywood thickness = 12mm

YOKE VANS
info@yoke-van-kits.co.uk
0208 132 9221

© 2023 Yoke CNC LTD

False Floor No.3B

SKU: FCON_14_L2_FF3B

